

PARTS LIST

[FS-P550]

* All printed circuit boards and its assemblies are not available as service parts.

Area suffix
C ----- Canada

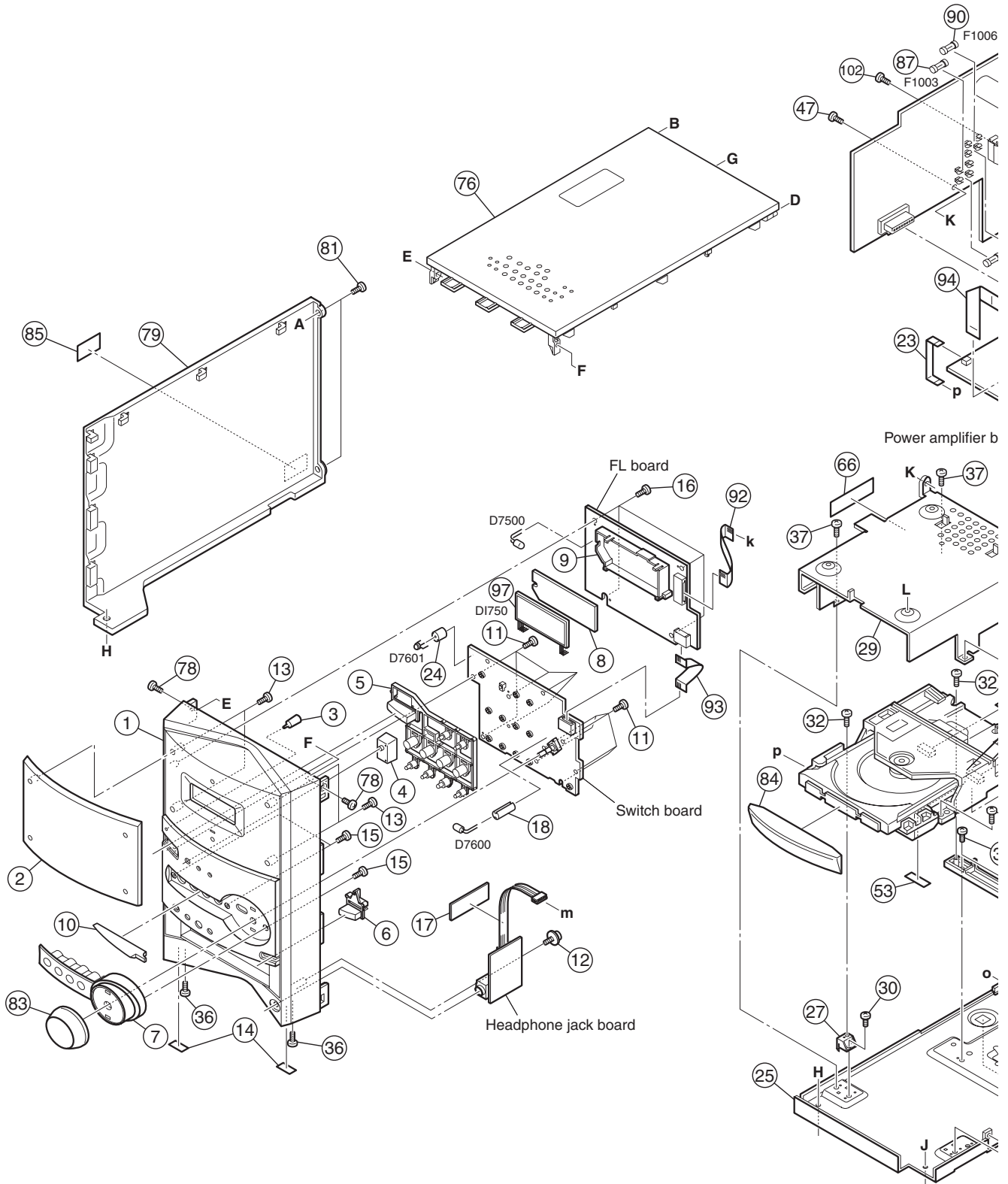
- Contents -

| | |
|--|------|
| Exploded view of general assembly and parts list (Block No.M1) | 3- 2 |
| DVD mechanism assembly and parts list (Block No.MJ) | 3- 6 |
| DVD Loading mechanism assembly and parts list (Block No.MN) | 3- 8 |
| Electrical parts list (Block No.01~05) | 3-10 |
| Packing materials and accessories parts list (Block No.M3)..... | 3-18 |

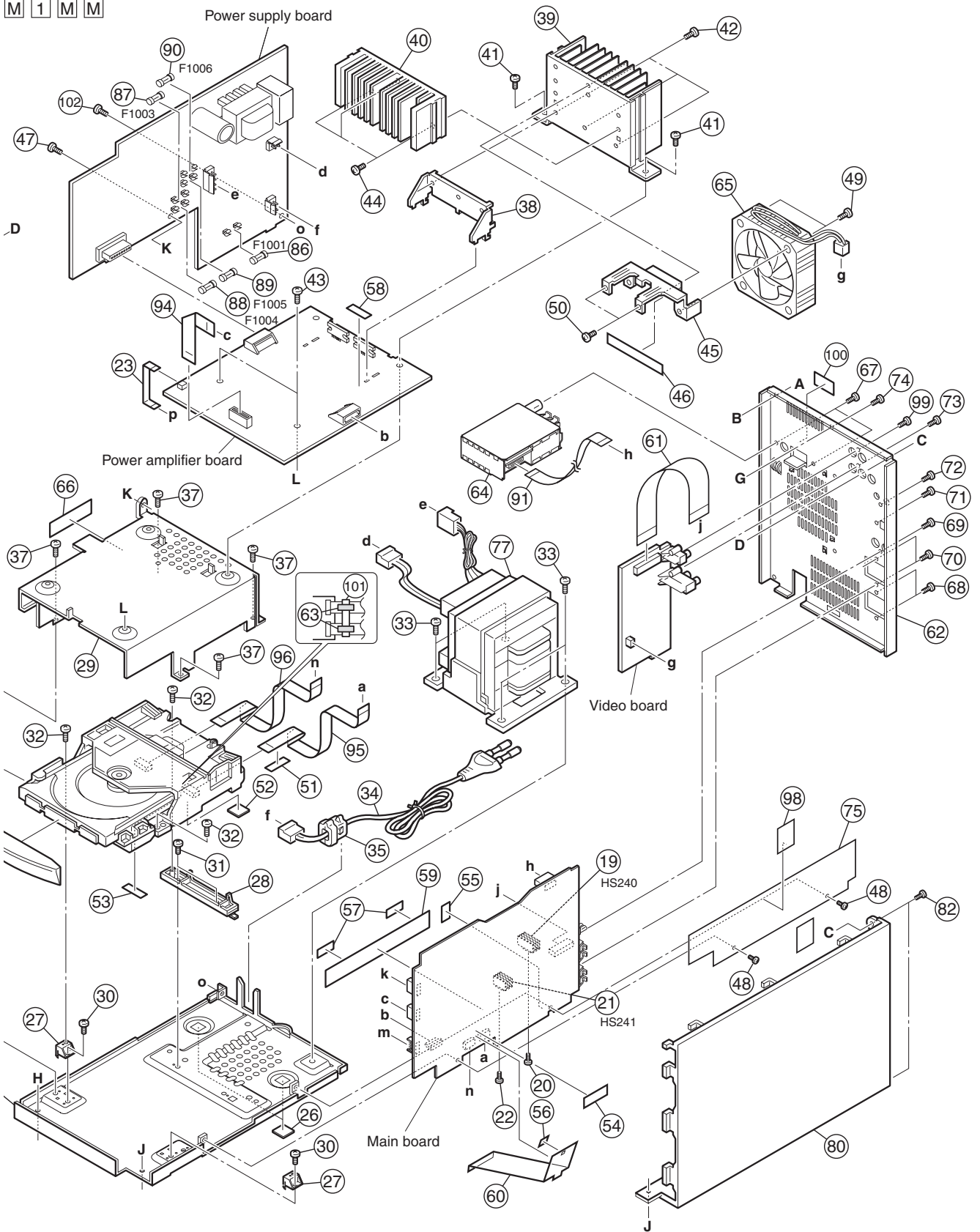
Exploded view of general assembly and parts list

Block No. **M 1 M M**

P



M 1 M M



General Assembly

Block No. [M][1][M][M]

| △ | Symbol No. | Part No. | Part Name | Description | Local |
|---|------------|----------------|-------------------|------------------|-------|
| | 1 | GV10189-017A | FRONT PANEL | | |
| | 2 | GV30569-006A | FRONT LENS | | |
| | 3 | GV40470-001A | STANDBY LENS | | |
| | 4 | GV40471-001A | REMOTE LENS | | |
| | 5 | GV20265-008A | MAIN BUTTON | | |
| | 6 | GV40472-004A | EJECT BUTTON | | |
| | 7 | GV30555-003A | VOL PLATE | | |
| | 8 | GV40473-002A | LCD LENS | | |
| | 9 | GV30557-001A | LCD HOLDER | | |
| | 10 | GV40478-004A | LED LENS | | |
| | 11 | QYSBSF2608Z | TAPPING SCREW | 2.6mm x 8mm(x10) | |
| | 12 | GV40035-001A | SPECIAL SCREW | | |
| | 13 | QYSDSF2006M | SCREW | 2mm x 6mm(x4) | |
| | 14 | GV40313-002A | FELT SPACER | (x2) | |
| | 15 | QYSBSF2606Z | SCREW | 2.6mm x 6mm(x3) | |
| | 16 | QYSBSF2608Z | TAPPING SCREW | 2.6mm x 8mm(x4) | |
| | 17 | GV30349-007A | SPACER | | |
| | 18 | GV40508-001A | LED HOLDER | | |
| | 19 | E70945-H40B | HEAT SINK | HS240 | |
| | 20 | QYSBSG3008Z | TAPPING SCREW | 3mm x 8mm | |
| | 21 | LV40057-H30B | HEAT SINK | HS241 | |
| | 22 | QYSBSG3008Z | TAPPING SCREW | 3mm x 8mm | |
| | 23 | QUQH10-0506BJ | CARD WIRE | FC404 | |
| | 24 | GV40203-002A | LED HOLDER B | | |
| | 25 | GV10190-001A | BOTTOM CHASSIS | | |
| | 26 | GV40313-002A | FELT SPACER | (x2) | |
| | 27 | GV40474-001A | MECHA HOLDER F | (x2) | |
| | 28 | GV40479-001A | MECHA HOLDER R | | |
| | 29 | GV20269-002A | SHIELD CASE | | |
| | 30 | QYSDST3005Z | TAP SCREW | M3 x 5mm(x2) | |
| | 31 | QYSDST3005Z | TAP SCREW | M3 x 5mm(x2) | |
| | 32 | QYSBSF3008Z | SCREW | 3mm x 8mm(x3) | |
| | 33 | QYSBST4006Z | SCREW | 4mm x 6mm(x4) | |
| △ | 34 | QMPD380-200-JN | POWER CORD(US/CA) | 2m BLACK | |
| △ | 35 | QZW0033-001 | STRAIN RELIEF | | |
| | 36 | QYSST3008Z | SCREW | 3mm x 8mm(x2) | |
| | 37 | QYSDST3005Z | TAP SCREW | M3 x 5mm(x4) | |
| | 38 | GV40480-002A | IC HOLDER | | |
| | 39 | GV30559-007A | HEAT SINK | | |
| | 40 | GV30611-001A | HEAT SINK B | | |
| | 41 | QYSBSG3008E | TAPPING SCREW | 3mm x 8mm(x2) | |
| | 42 | QYSBSG3012Z | TAP SCREW | M3 x 12mm(x3) | |
| | 43 | QYSBSG3008E | TAPPING SCREW | 3mm x 8mm(x2) | |
| | 44 | QYSBSG3012Z | TAP SCREW | M3 x 12mm(x3) | |
| | 45 | GV30612-002A | FAN BRACKET B | | |
| | 46 | GV40509-003A | THERMAL SHEET | | |
| | 47 | QYSBSTG3006Z | TAP SCREW | M3 x 6mm | |
| | 48 | QYSBSTG3006Z | TAP SCREW | M3 x 6mm(x2) | |
| | 49 | QYSBSG3020Z | TAP SCREW | M3 x 20mm(x2) | |
| | 50 | QYSBSG3012Z | TAP SCREW | M3 x 12mm(x2) | |
| | 51 | GV40242-004A | COMMON SPACER | | |
| | 52 | E3400-431 | SPECER | | |
| | 53 | GV30349-027A | SPACER | | |
| | 54 | GV30349-005A | SPACER | | |
| | 55 | E3400-431 | SPECER | | |
| | 56 | E3400-431 | SPECER | | |
| | 57 | E3400-431 | SPECER | (x2) | |
| | 58 | GV30349-007A | SPACER | | |
| | 59 | GV40527-001A | COPPER SHIELD | | |
| | 60 | GV40530-001A | WIRE LOCATOR | | |
| | 61 | QUQH12-2419AJ | CARD WIRE | FC710 | |
| | 62 | GV20270-038A | REAR PANEL | | |
| | 63 | GV30349-004A | SPACER | (x2) | |
| | 64 | QAU0346-001 | TUNER | | |
| | 65 | QAR0124-003 | FAN | | |
| | 66 | LV41843-002A | LASER CAUTION | | |
| | 67 | QYSBSGY3008E | SPECIAL SCREW | 3mm x 8mm(x2) | |
| | 68 | QYSBSGY3008E | SPECIAL SCREW | 3mm x 8mm(x2) | |
| | 69 | QYSBSGY3008E | SPECIAL SCREW | 3mm x 8mm | |
| | 70 | QYSBSGY3008E | SPECIAL SCREW | 3mm x 8mm(x2) | |
| | 71 | QYSBSGY3008E | SPECIAL SCREW | 3mm x 8mm | |
| | 72 | QYSBSGY3008E | SPECIAL SCREW | 3mm x 8mm | |
| | 73 | QYSBSGY3008E | SPECIAL SCREW | 3mm x 8mm | |
| | 74 | QYSBSGY3008E | SPECIAL SCREW | 3mm x 8mm | |

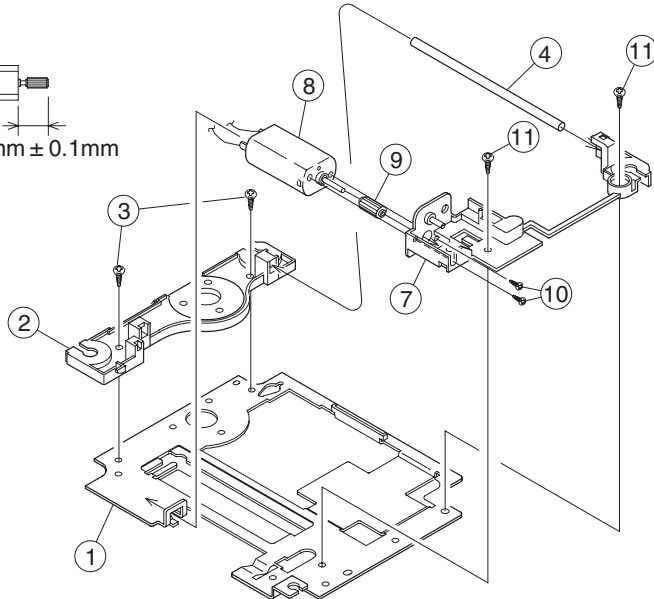
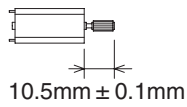
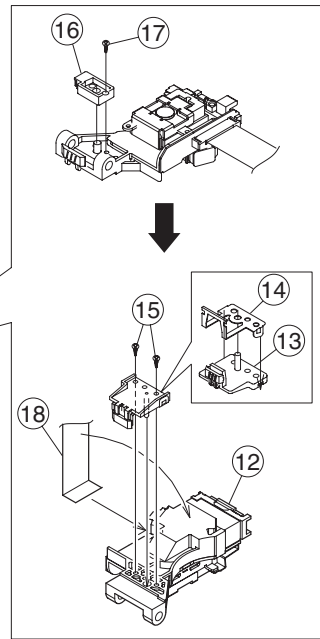
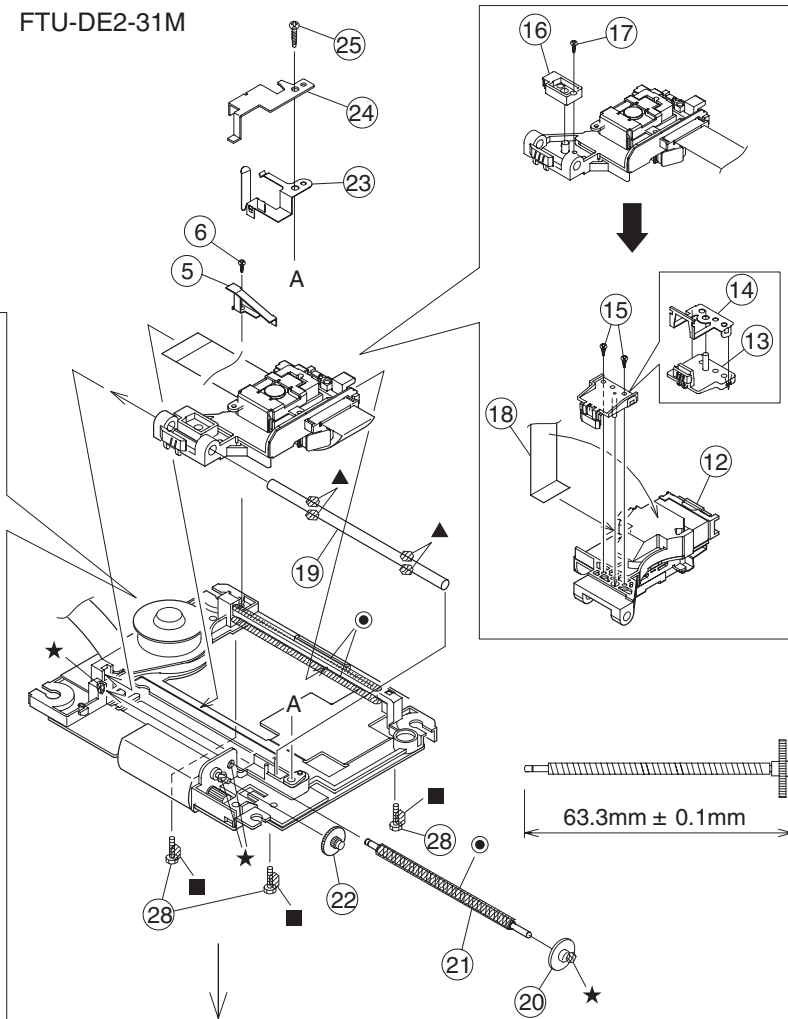
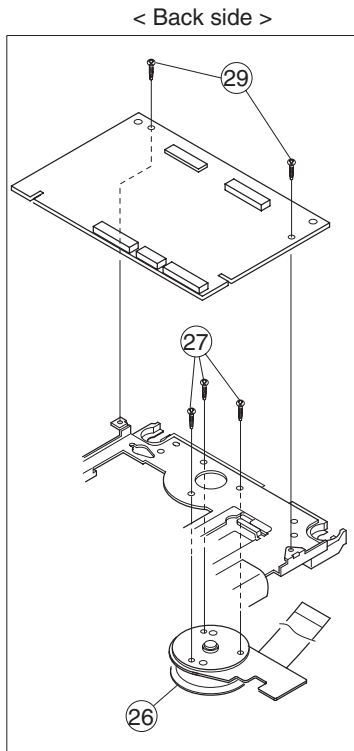
| △ | Symbol No. | Part No. | Part Name | Description | Local |
|---|------------|-----------------|---------------|--------------------|-------|
| | 75 | GV30620-001A | MAIN SHIELD | | |
| | 76 | GV10192-004A | TOP PANEL B | | |
| △ | 77 | QQT0431-001 | POWER TRANSF | T1001 | |
| | 78 | QYSSSF3008Z | SCREW | 3mm x 8mm(x2) | |
| | 79 | GV10194-001A | SIDE PANEL L | | |
| | 80 | GV10195-001A | SIDE PANEL R | | |
| | 81 | QYSBSGY3010E | SPECIAL SCREW | 3mm x 10mm(x2) | |
| | 82 | QYSBSGY3010E | SPECIAL SCREW | 3mm x 10mm(x2) | |
| | 83 | GV30563-001A | MIC VOL KNOB | | |
| | 84 | GV30564-006A | TRAY FITTING | | |
| | 85 | GV30562-008A | RATING LABEL | | |
| △ | 86 | QMF51U1-2R5-J8 | FUSE | F1001 2.5A AC125V | |
| △ | 87 | QMF51U1-2R5-J8 | FUSE | F1003 2.5A AC125V | |
| △ | 88 | QMF51U1-1R25-J8 | FUSE | F1004 1.25A AC125V | |
| △ | 89 | QMF51U1-6R3-J8 | FUSE | F1005 6.3A AC125V | |
| △ | 90 | QMF51U1-6R3-J8 | FUSE | F1006 6.3A AC125V | |
| | 91 | QUQH12-1115AJ | CARD WIRE | FC700 | |
| | 92 | QUQH12-1508AJ | CARD WIRE | FC750 | |
| | 93 | QUQH12-1008AJ | CARD WIRE | FC760 | |
| | 94 | QUQH12-2214AJ | CARD WIRE | FC402 | |
| | 95 | QUQH10-1912AJ | CARD WIRE | FC220 | |
| | 96 | QUQH10-1717BJ | CARD WIRE | FC720 | |
| | 97 | QLD0312-001 | LCD MODULE | DI750 | |
| | 98 | GV30349-007A | SPACER | | |
| | 99 | QYSBSGY3008E | SPECIAL SCREW | 3mm x 8mm | |
| | 100 | LV43835-002A | EMC LABEL | | |
| | 101 | QQR1543-001 | FERRITE CORE | | |
| | 102 | QYSBSTG3006Z | TAP SCREW | M3 x 6mm | |

DVD mechanism assembly and parts list

Block No. M J M M

FTU-DE2-31M

- Grease
- ★ =JVG-31N
 - =CFD-4007ZY2
 - ▲ =PG-641
 - =1401C



DVD mechanism

Block No. [M][J][M][M]

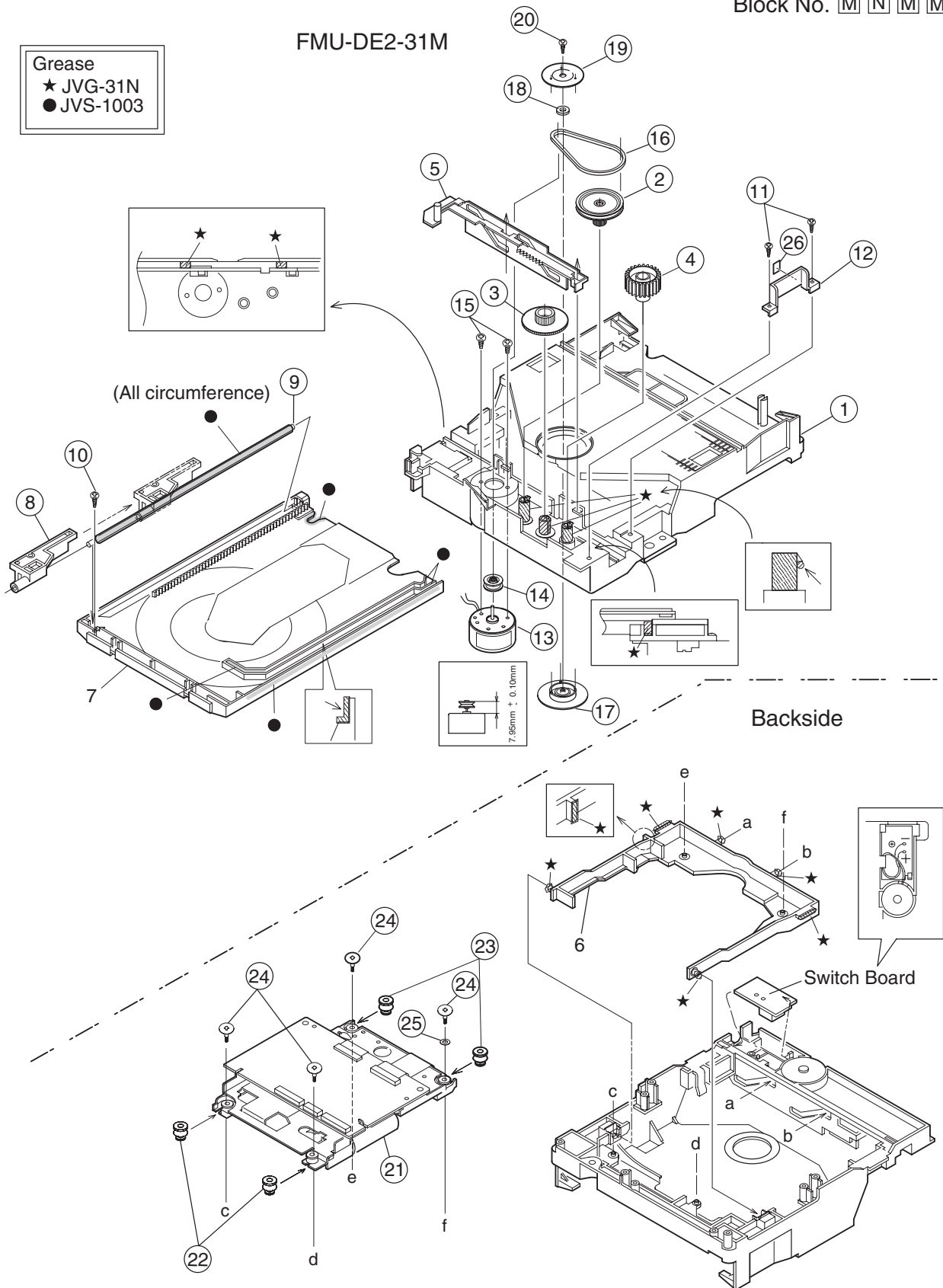
| △ | Symbol No. | Part No. | Part Name | Description | Local |
|---|------------|---------------|----------------|----------------|-------|
| | 1 | LE20725-001A | MECHA BASE | | |
| | 2 | LE20699-002A | SPINDLE BASE | | |
| | 3 | QYSDST2605M | TAP SCREW | M2.6 x 5mm(x2) | |
| | 4 | LE40931-001A | SHAFT | | |
| | 5 | LV33991-001A | ADJUST SPRING | | |
| | 6 | QYSPSFU2040M | TAP SCREW | M2 x 4mm | |
| | 7 | LE20698-004A | FEED HOLDER | | |
| | 8 | QAR0215-001 | FEED MOTOR | | |
| | 9 | LV41510-201A | FEED GEAR T | | |
| | 10 | QYSPSPU2040M | SCREW | M2 x 4mm(x2) | |
| | 11 | QYSDST2605M | TAP SCREW | M2.6 x 5mm(x2) | |
| | 12 | QAL0507-001 | PICK UP | | |
| | 13 | LE20700-001A | SW ACTUATOR | | |
| | 14 | LE31067-002A | LEAD SPRING | | |
| | 15 | QYSPSFU1740Z | TAP SCREW | M1.7 x 4mm(x2) | |
| | 16 | LE40929-001A | SW.LEVER | | |
| | 17 | QYSPSFU1740Z | TAP SCREW | M1.7 x 4mm | |
| | 18 | QUQ105-2411AC | FFC | | |
| | 19 | LE40931-001A | SHAFT | | |
| | 20 | LE40855-001A | FEED GEAR E | | |
| | 21 | LV41517-003A | LEAD SCREW | | |
| | 22 | LE40930-001A | FEED GEAR M | | |
| | 23 | LE40928-001A | THURUST SPRING | | |
| | 24 | LE40927-001A | PLATE | | |
| | 25 | QYSDST2614Z | TAPPING SCREW | M2.6 x 14mm | |
| | 26 | QAR0316-001 | SPINDLE MOTOR | | |
| | 27 | QYSPSPU1740Z | SCREW | M1.7 x 4mm(x3) | |
| | 28 | LE40858-002A | SPECIAL SCREW | (x3) | |
| | 29 | QYSDST2004Z | SCREW | 2mm x 4mm(x2) | |

DVD loading base assembly and parts list

Block No. M N M M

FMU-DE2-31M

Grease
 ★ JVG-31N
 ● JVS-1003



DVD loading base

Block No. [M][N][M][M]

| △ | Symbol No. | Part No. | Part Name | Description | Local |
|---|------------|--------------|---------------|--------------------|-------|
| | 1 | LE10275-006A | LOADING BASE | | |
| | 2 | LE31043-001A | PULLEY GEAR | | |
| | 3 | LE31042-001A | MIDDLE GEAR | | |
| | 4 | LE31044-001A | IDLE GEAR | | |
| | 5 | LE20665-005A | SLIDE CAM | | |
| | 6 | LE20666-003A | ELEVATOR | | |
| | 7 | LE10276-002A | TRAY | | |
| | 8 | LE31045-001A | BUSHING | | |
| | 9 | LE40898-001A | SHAFT | | |
| | 10 | QYSSSF2008Z | TAP SCREW | M2 x 8mm | |
| | 11 | QYSDSF2008Z | TAP SCREW | M2 x 8mm(x2) | |
| | 12 | LE40937-002A | LEAF SPRING | | |
| | 13 | QAR0197-001 | MOTOR | | |
| | 14 | LV42087-002A | MOTOR PULLEY | | |
| | 15 | QYSPSPU1730Z | SCREW | M1.7 x 3mm(x2) | |
| | 16 | LE40897-001A | BELT | | |
| | 17 | LE31046-003A | CLAMPER | | |
| | 18 | LV42930-003A | P.C.MAGNET | | |
| | 19 | LE40899-001A | YOKE | | |
| | 20 | LE40906-001A | SPECIAL SCREW | | |
| | 21 | ----- | DVD TRAMECHA | | |
| | 22 | LE40900-003A | INSULATOR | (x2) | |
| | 23 | LE40900-005A | INSULATOR | (x2) | |
| | 24 | LE40901-001A | SPECIAL SCREW | (x4) | |
| | 25 | QYWFM419025 | WASHER | 9mm/4.1mm x 0.25mm | |
| | 26 | LV43828-001A | SPACER | | |

Electrical parts list

Main board

Block No. [0][1][0][0]

| △ Symbol No. | Part No. | Part Name | Description | Local |
|--------------|----------|-----------------|-----------------|--------------|
| | IC200 | LC75342M-X | IC | |
| | IC202 | JCV8011-X | IC | |
| | IC207 | HA17558AF-X | IC | |
| △ | IC240 | KIA7810API | IC | |
| △ | IC241 | PQ05RD21 | IC | |
| | IC250 | GP1FA553TZ | OPT TRANSMITTER | |
| | IC701 | MN101C49GFK1 | MASK ROM | |
| | IC702 | BR24L01AF-W-X | IC | |
| | IC703 | BD4740G-W | IC | |
| | IC705 | KIA78S06P-T | IC | |
| | IC707 | 74VHCT08ASJ-X | IC | |
| | Q2070 | 2SC2412K/R/-X | TRANSISTOR | |
| | Q2071 | 2SC2412K/R/-X | TRANSISTOR | |
| | Q2170 | 2SC2412K/R/-X | TRANSISTOR | |
| | Q2171 | 2SC2412K/R/-X | TRANSISTOR | |
| △ | Q2200 | 2SC2001/LK/-T | TRANSISTOR | |
| | Q2220 | 2SC2412K/R/-X | TRANSISTOR | |
| | Q2221 | KRA102S-X | DIGI TRANSISTOR | |
| | Q2270 | KRA102S-X | DIGI TRANSISTOR | |
| | Q2271 | KRA102S-X | DIGI TRANSISTOR | |
| △ | Q2410 | KTA1046/Y/ | TRANSISTOR | |
| | Q2411 | KTC3875/YG/-X | SI TRANSISTOR | |
| △ | Q2420 | KTC1027/OY/-T | TRANSISTOR | |
| | Q7001 | KRC107S-X | DIGI TRANSISTOR | |
| | Q7002 | KRC111S-X | TRANSISTOR | |
| | Q7154 | 2SC2412K/R/-X | TRANSISTOR | |
| | Q7158 | 2SC2412K/R/-X | TRANSISTOR | |
| | Q7161 | KRC102S-X | DIGI TRANSISTOR | |
| | Q7162 | KRC102S-X | DIGI TRANSISTOR | |
| | Q7300 | 2SA1037AK/RS/-X | TRANSISTOR | |
| | Q7301 | KRC111S-X | TRANSISTOR | |
| | Q7302 | KRC110M-T | TRANSISTOR | |
| | Q7320 | 2SA1037AK/RS/-X | TRANSISTOR | |
| | Q7321 | KRC111S-X | TRANSISTOR | |
| | Q7330 | KRC102S-X | DIGI TRANSISTOR | |
| | Q7360 | 2SA1037AK/RS/-X | TRANSISTOR | |
| | Q7361 | KRC111S-X | TRANSISTOR | |
| | D2400 | MTZJ11C-T2 | Z DIODE | |
| | D2404 | 1N4003S-T5 | SI DIODE | |
| | D2410 | MTZJ5.6C-T2 | Z DIODE | |
| | D2412 | 1SS119-041-T2 | DIODE | |
| | D2413 | MTZJ3.9B-T2 | Z DIODE | |
| | D2420 | MTZJ5.6A-T2 | Z DIODE | |
| | D2421 | MTZJ5.6C-T2 | Z DIODE | |
| | D2422 | 1SS119-041-T2 | DIODE | |
| | D7001 | 1SS119-041-T2 | DIODE | |
| | D7002 | 1SS119-041-T2 | DIODE | |
| | D7003 | MTZJ4.7B-T2 | Z DIODE | |
| | D7061 | 1SS119-041-T2 | DIODE | |
| | D7062 | 1SS119-041-T2 | DIODE | |
| | D7161 | 1SS119-041-T2 | DIODE | |
| | D7300 | 1SS119-041-T2 | DIODE | |
| | D7320 | 1SS119-041-T2 | DIODE | |
| | D7330 | MTZJ6.2C-T2 | Z DIODE | |
| | D7331 | 1SS119-041-T2 | DIODE | |
| | D7350 | MTZJ6.2C-T2 | Z DIODE | |
| | D7351 | 1SS119-041-T2 | DIODE | |
| | D7352 | 1SS119-041-T2 | DIODE | |
| | D7353 | 1SS119-041-T2 | DIODE | |
| | D7354 | 1SS119-041-T2 | DIODE | |
| | D7370 | MTZJ5.6C-T2 | Z DIODE | |
| | D7371 | 1SS119-041-T2 | DIODE | |
| | C2000 | QCBB1HK-221Y | C CAPACITOR | 220pF 50V K |
| | C2001 | QETN1HM-475Z | E CAPACITOR | 4.7uF 50V M |
| | C2003 | QTE1H28-106Z | E CAPACITOR | 10uF 50V |
| | C2004 | QETN1HM-475Z | E CAPACITOR | 4.7uF 50V M |
| | C2006 | QTE1V06-106Z | E CAPACITOR | 10uF 35V |
| | C2007 | QTE1V06-106Z | E CAPACITOR | 10uF 35V |
| | C2008 | QFLC1HJ-272Z | M CAPACITOR | 2700pF 50V J |

| △ Symbol No. | Part No. | Part Name | Description | Local |
|--------------|----------|--------------|-------------|---------------|
| | C2009 | QFLC1HJ-104Z | M CAPACITOR | 0.1uF 50V J |
| | C2010 | QFLC1HJ-104Z | M CAPACITOR | 0.1uF 50V J |
| | C2011 | QFLC1HJ-153Z | M CAPACITOR | 0.015uF 50V J |
| | C2012 | QFLC1HJ-153Z | M CAPACITOR | 0.015uF 50V J |
| | C2013 | NCB31HK-561X | C CAPACITOR | 560pF 50V K |
| | C2016 | QTE1H28-105Z | E CAPACITOR | 1uF 50V |
| | C2021 | QETN1HM-106Z | E CAPACITOR | 10uF 50V M |
| | C2023 | QETN1HM-106Z | E CAPACITOR | 10uF 50V M |
| | C2061 | QFLC1HJ-103Z | M CAPACITOR | 0.01uF 50V J |
| | C2062 | QFLC1HJ-103Z | M CAPACITOR | 0.01uF 50V J |
| | C2070 | QETN1CM-226Z | E CAPACITOR | 22uF 16V M |
| | C2071 | QETN1HM-225Z | E CAPACITOR | 2.2uF 50V M |
| | C2072 | NCS31HJ-151X | C CAPACITOR | 150pF 50V J |
| | C2073 | NCS31HJ-330X | C CAPACITOR | 33pF 50V J |
| | C2074 | NCB31HK-331X | C CAPACITOR | 330pF 50V K |
| | C2075 | QETN1CM-107Z | E CAPACITOR | 100uF 16V M |
| | C2080 | QCFB1HZ-104Y | C CAPACITOR | 0.1uF 50V Z |
| | C2081 | QDXB1CM-332Y | C CAPACITOR | 3300pF 16V M |
| | C2090 | QCFB1HZ-104Y | C CAPACITOR | 0.1uF 50V Z |
| | C2091 | QDXB1CM-332Y | C CAPACITOR | 3300pF 16V M |
| | C2100 | QCBB1HK-221Y | C CAPACITOR | 220pF 50V K |
| | C2101 | QETN1HM-475Z | E CAPACITOR | 4.7uF 50V M |
| | C2103 | QTE1H28-106Z | E CAPACITOR | 10uF 50V |
| | C2104 | QETN1HM-475Z | E CAPACITOR | 4.7uF 50V M |
| | C2106 | QTE1V06-106Z | E CAPACITOR | 10uF 35V |
| | C2107 | QTE1V06-106Z | E CAPACITOR | 10uF 35V |
| | C2108 | QFLC1HJ-272Z | M CAPACITOR | 2700pF 50V J |
| | C2109 | QFLC1HJ-104Z | M CAPACITOR | 0.1uF 50V J |
| | C2110 | QFLC1HJ-104Z | M CAPACITOR | 0.1uF 50V J |
| | C2111 | QFLC1HJ-153Z | M CAPACITOR | 0.015uF 50V J |
| | C2112 | QFLC1HJ-153Z | M CAPACITOR | 0.015uF 50V J |
| | C2113 | NCB31HK-561X | C CAPACITOR | 560pF 50V K |
| | C2116 | QTE1H28-105Z | E CAPACITOR | 1uF 50V |
| | C2121 | QETN1HM-106Z | E CAPACITOR | 10uF 50V M |
| | C2123 | QETN1HM-106Z | E CAPACITOR | 10uF 50V M |
| | C2161 | QFLC1HJ-103Z | M CAPACITOR | 0.01uF 50V J |
| | C2162 | QFLC1HJ-103Z | M CAPACITOR | 0.01uF 50V J |
| | C2170 | QETN1CM-226Z | E CAPACITOR | 22uF 16V M |
| | C2171 | QETN1HM-225Z | E CAPACITOR | 2.2uF 50V M |
| | C2172 | NCS31HJ-151X | C CAPACITOR | 150pF 50V J |
| | C2173 | NCS31HJ-330X | C CAPACITOR | 33pF 50V J |
| | C2174 | NCB31HK-331X | C CAPACITOR | 330pF 50V K |
| | C2175 | QETN1CM-107Z | E CAPACITOR | 100uF 16V M |
| | C2180 | QCFB1HZ-104Y | C CAPACITOR | 0.1uF 50V Z |
| | C2181 | QDXB1CM-332Y | C CAPACITOR | 3300pF 16V M |
| | C2190 | QCFB1HZ-104Y | C CAPACITOR | 0.1uF 50V Z |
| | C2191 | QDXB1CM-332Y | C CAPACITOR | 3300pF 16V M |
| | C2200 | QTE1C06-107Z | E CAPACITOR | 100uF 16V |
| | C2201 | QFLC1HJ-104Z | M CAPACITOR | 0.1uF 50V J |
| | C2202 | QETN1CM-107Z | E CAPACITOR | 100uF 16V M |
| | C2203 | QCBB1HK-103Y | C CAPACITOR | 0.01uF 50V K |
| | C2204 | QETN1CM-226Z | E CAPACITOR | 22uF 16V M |
| | C2220 | QETN1CM-476Z | E CAPACITOR | 47uF 16V M |
| | C2221 | QETN1CM-476Z | E CAPACITOR | 47uF 16V M |
| | C2222 | QFLC1HJ-273Z | M CAPACITOR | 0.027uF 50V J |
| | C2223 | QETN1HM-225Z | E CAPACITOR | 2.2uF 50V M |
| | C2224 | QETN1CM-106Z | E CAPACITOR | 10uF 16V M |
| | C2225 | QETN1CM-106Z | E CAPACITOR | 10uF 16V M |
| | C2226 | QETN1HM-475Z | E CAPACITOR | 4.7uF 50V M |
| | C2227 | QETN1CM-106Z | E CAPACITOR | 10uF 16V M |
| | C2228 | QETN1CM-106Z | E CAPACITOR | 10uF 16V M |
| | C2229 | QETN1HM-224Z | E CAPACITOR | 0.22uF 50V M |
| | C2230 | QETN1HM-475Z | E CAPACITOR | 4.7uF 50V M |
| | C2231 | QETN1HM-474Z | E CAPACITOR | 0.47uF 50V M |
| | C2232 | QETN1HM-475Z | E CAPACITOR | 4.7uF 50V M |
| | C2233 | QETN1CM-476Z | E CAPACITOR | 47uF 16V M |
| | C2270 | QETN1CM-476Z | E CAPACITOR | 47uF 16V M |
| | C2271 | QETN1CM-226Z | E CAPACITOR | 22uF 16V M |
| | C2272 | QETN1HM-225Z | E CAPACITOR | 2.2uF 50V M |
| | C2273 | QETN1HM-225Z | E CAPACITOR | 2.2uF 50V M |
| | C2400 | QETN1EM-477Z | E CAPACITOR | 470uF 25V M |
| | C2401 | QETN1CM-227Z | E CAPACITOR | 220uF 16V M |
| | C2410 | QETN1CM-477Z | E CAPACITOR | 470uF 16V M |
| | C2411 | QETN1AM-227Z | E CAPACITOR | 220uF 10V M |
| | C2412 | QETN1CM-107Z | E CAPACITOR | 100uF 16V M |
| | C2413 | QFLC1HJ-104Z | M CAPACITOR | 0.1uF 50V J |

| △ Symbol No. | Part No. | Part Name | Description | Local | △ Symbol No. | Part No. | Part Name | Description | Local |
|--------------|--------------|-------------|---------------|-------|--------------|--------------|-------------|---------------|-------|
| C2420 | QFLC1HJ-472Z | M CAPACITOR | 4700pF 50V J | | R2175 | NRSA63J-332X | MG RESISTOR | 3.3kΩ 1/16W J | |
| C2421 | QETN1CM-227Z | E CAPACITOR | 220uF 16V M | | R2176 | NRSA63J-222X | MG RESISTOR | 2.2kΩ 1/16W J | |
| C2500 | QETN1CM-476Z | E CAPACITOR | 47uF 16V M | | R2177 | NRSA63J-222X | MG RESISTOR | 2.2kΩ 1/16W J | |
| C2700 | QCBB1HK-103Y | C CAPACITOR | 0.01uF 50V K | | R2178 | NRSA63J-222X | MG RESISTOR | 2.2kΩ 1/16W J | |
| C2701 | QCBB1HK-103Y | C CAPACITOR | 0.01uF 50V K | | R2200 | QRE141J-471Y | C RESISTOR | 470Ω 1/4W J | |
| C2702 | QCBB1HK-103Y | C CAPACITOR | 0.01uF 50V K | | R2201 | QRE141J-101Y | C RESISTOR | 100Ω 1/4W J | |
| C7001 | QETN1CM-107Z | E CAPACITOR | 100uF 16V M | | R2202 | NRSA63J-101X | MG RESISTOR | 100Ω 1/16W J | |
| C7002 | QDYB1CM-103Y | C CAPACITOR | 0.01uF 16V M | | R2203 | NRSA63J-101X | MG RESISTOR | 100Ω 1/16W J | |
| C7004 | QETN1HM-225Z | E CAPACITOR | 2.2uF 50V M | | R2220 | NRSA63J-474X | MG RESISTOR | 470kΩ 1/16W J | |
| C7005 | NCB31HK-223X | C CAPACITOR | 0.022uF 50V K | | R2221 | NRSA63J-474X | MG RESISTOR | 470kΩ 1/16W J | |
| C7006 | NCB31HK-102X | C CAPACITOR | 1000pF 50V K | | R2222 | NRSA63J-101X | MG RESISTOR | 100Ω 1/16W J | |
| C7007 | NCB31HK-103X | C CAPACITOR | 0.01uF 50V K | | R2223 | NRSA63J-225X | MG RESISTOR | 2.2MΩ 1/16W J | |
| C7008 | QETN0JM-227Z | E CAPACITOR | 220uF 6.3V M | | R2224 | NRSA63J-153X | MG RESISTOR | 15kΩ 1/16W J | |
| C7009 | QETN0JM-228Z | E CAPACITOR | 2200uF 6.3V M | | R2225 | NRSA63J-104X | MG RESISTOR | 100kΩ 1/16W J | |
| C7031 | NCS31HJ-220X | C CAPACITOR | 22pF 50V J | | R2226 | NRSA63J-562X | MG RESISTOR | 5.6kΩ 1/16W J | |
| C7046 | QCSB1HJ-220Y | C CAPACITOR | 22pF 50V J | | R2227 | NRSA63J-472X | MG RESISTOR | 4.7kΩ 1/16W J | |
| C7048 | NCB31HK-102X | C CAPACITOR | 1000pF 50V K | | R2228 | NRSA63J-562X | MG RESISTOR | 5.6kΩ 1/16W J | |
| C7103 | NCB31HK-102X | C CAPACITOR | 1000pF 50V K | | R2229 | QRE141J-101Y | C RESISTOR | 100Ω 1/4W J | |
| C7112 | NCS31HJ-330X | C CAPACITOR | 33pF 50V J | | R2270 | QRE141J-181Y | C RESISTOR | 180Ω 1/4W J | |
| C7113 | NCS31HJ-330X | C CAPACITOR | 33pF 50V J | | R2271 | NRSA63J-473X | MG RESISTOR | 47kΩ 1/16W J | |
| C7320 | QETN1HM-106Z | E CAPACITOR | 10uF 50V M | | R2272 | NRSA63J-473X | MG RESISTOR | 47kΩ 1/16W J | |
| C7330 | NCB31HK-221X | C CAPACITOR | 220pF 50V K | | R2273 | NRSA63J-0R0X | MG RESISTOR | 0Ω 1/16W J | |
| C7331 | NCB31HK-221X | C CAPACITOR | 220pF 50V K | | R2274 | NRSA63J-0R0X | MG RESISTOR | 0Ω 1/16W J | |
| C7350 | QFLC1HJ-104Z | M CAPACITOR | 0.1uF 50V J | | R2275 | QRE141J-103Y | C RESISTOR | 10kΩ 1/4W J | |
| C7351 | QETN1CM-476Z | E CAPACITOR | 47uF 16V M | | R2410 | QRE141J-122Y | C RESISTOR | 1.2kΩ 1/4W J | |
| C7352 | QETN1AM-107Z | E CAPACITOR | 100uF 10V M | | R2411 | QRE141J-472Y | C RESISTOR | 4.7kΩ 1/4W J | |
| C7367 | QETN1CM-476Z | E CAPACITOR | 47uF 16V M | | R2412 | QRE141J-103Y | C RESISTOR | 10kΩ 1/4W J | |
| C7370 | NCS31HJ-100X | C CAPACITOR | 10pF 50V J | | R2420 | QRE141J-102Y | C RESISTOR | 1kΩ 1/4W J | |
| C7371 | NCS31HJ-100X | C CAPACITOR | 10pF 50V J | | R2500 | NRSA63J-470X | MG RESISTOR | 47Ω 1/16W J | |
| C7372 | NCS31HJ-100X | C CAPACITOR | 10pF 50V J | | R7001 | NRSA63J-223X | MG RESISTOR | 22kΩ 1/16W J | |
| C7373 | NCS31HJ-100X | C CAPACITOR | 10pF 50V J | | R7002 | NRSA63J-472X | MG RESISTOR | 4.7kΩ 1/16W J | |
| C7374 | NCS31HJ-100X | C CAPACITOR | 10pF 50V J | | R7003 | NRSA63J-102X | MG RESISTOR | 1kΩ 1/16W J | |
| C7375 | QETN1CM-476Z | E CAPACITOR | 47uF 16V M | | R7004 | NRSA63J-103X | MG RESISTOR | 10kΩ 1/16W J | |
| R2000 | QRE141J-303Y | C RESISTOR | 30kΩ 1/4W J | | R7005 | NRSA63J-681X | MG RESISTOR | 680Ω 1/16W J | |
| R2001 | QRE141J-303Y | C RESISTOR | 30kΩ 1/4W J | | R7006 | NRSA63J-681X | MG RESISTOR | 680Ω 1/16W J | |
| R2006 | NRSA63J-473X | MG RESISTOR | 47kΩ 1/16W J | | R7021 | NRSA63J-103X | MG RESISTOR | 10kΩ 1/16W J | |
| R2007 | NRSA63J-392X | MG RESISTOR | 3.9kΩ 1/16W J | | R7030 | NRSA63J-103X | MG RESISTOR | 10kΩ 1/16W J | |
| R2008 | QRE141J-682Y | C RESISTOR | 6.8kΩ 1/4W J | | R7045 | NRSA63J-222X | MG RESISTOR | 2.2kΩ 1/16W J | |
| R2009 | QRE141J-682Y | C RESISTOR | 6.8kΩ 1/4W J | | R7048 | NRSA63J-222X | MG RESISTOR | 2.2kΩ 1/16W J | |
| R2010 | QRE141J-472Y | C RESISTOR | 4.7kΩ 1/4W J | | R7049 | NRSA63J-222X | MG RESISTOR | 2.2kΩ 1/16W J | |
| R2011 | NRSA63J-473X | MG RESISTOR | 47kΩ 1/16W J | | R7060 | NRSA63J-393X | MG RESISTOR | 39kΩ 1/16W J | |
| R2012 | NRSA63J-203X | MG RESISTOR | 20kΩ 1/16W J | | R7061 | NRSA63J-472X | MG RESISTOR | 4.7kΩ 1/16W J | |
| R2020 | NRSA63J-472X | MG RESISTOR | 4.7kΩ 1/16W J | | R7062 | NRSA63J-472X | MG RESISTOR | 4.7kΩ 1/16W J | |
| R2021 | NRSA63J-103X | MG RESISTOR | 10kΩ 1/16W J | | R7102 | NRSA63J-222X | MG RESISTOR | 2.2kΩ 1/16W J | |
| R2022 | NRSA63J-222X | MG RESISTOR | 2.2kΩ 1/16W J | | R7103 | NRSA63J-222X | MG RESISTOR | 2.2kΩ 1/16W J | |
| R2030 | QRE141J-273Y | C RESISTOR | 27kΩ 1/4W J | | R7104 | NRSA63J-222X | MG RESISTOR | 2.2kΩ 1/16W J | |
| R2061 | QRE141J-681Y | C RESISTOR | 680Ω 1/4W J | | R7107 | NRSA63J-222X | MG RESISTOR | 2.2kΩ 1/16W J | |
| R2062 | QRE141J-681Y | C RESISTOR | 680Ω 1/4W J | | R7108 | NRSA63J-222X | MG RESISTOR | 2.2kΩ 1/16W J | |
| R2070 | NRSA63J-332X | MG RESISTOR | 3.3kΩ 1/16W J | | R7109 | NRSA63J-103X | MG RESISTOR | 10kΩ 1/16W J | |
| R2071 | NRSA63J-103X | MG RESISTOR | 10kΩ 1/16W J | | R7118 | NRSA63J-102X | MG RESISTOR | 1kΩ 1/16W J | |
| R2072 | NRSA63J-220X | MG RESISTOR | 22Ω 1/16W J | | R7119 | NRSA63J-222X | MG RESISTOR | 2.2kΩ 1/16W J | |
| R2073 | NRSA63J-433X | MG RESISTOR | 43kΩ 1/16W J | | R7120 | NRSA63J-102X | MG RESISTOR | 1kΩ 1/16W J | |
| R2074 | NRSA63J-563X | MG RESISTOR | 56kΩ 1/16W J | | R7121 | NRSA63J-101X | MG RESISTOR | 100Ω 1/16W J | |
| R2075 | NRSA63J-332X | MG RESISTOR | 3.3kΩ 1/16W J | | R7122 | NRSA63J-222X | MG RESISTOR | 2.2kΩ 1/16W J | |
| R2076 | NRSA63J-222X | MG RESISTOR | 2.2kΩ 1/16W J | | R7123 | NRSA63J-101X | MG RESISTOR | 100Ω 1/16W J | |
| R2077 | NRSA63J-222X | MG RESISTOR | 2.2kΩ 1/16W J | | R7124 | NRSA63J-222X | MG RESISTOR | 2.2kΩ 1/16W J | |
| R2078 | NRSA63J-222X | MG RESISTOR | 2.2kΩ 1/16W J | | R7125 | NRSA63J-222X | MG RESISTOR | 2.2kΩ 1/16W J | |
| R2100 | QRE141J-303Y | C RESISTOR | 30kΩ 1/4W J | | R7126 | QRE141J-103Y | C RESISTOR | 10kΩ 1/4W J | |
| R2101 | QRE141J-303Y | C RESISTOR | 30kΩ 1/4W J | | R7127 | NRSA63J-222X | MG RESISTOR | 2.2kΩ 1/16W J | |
| R2106 | NRSA63J-473X | MG RESISTOR | 47kΩ 1/16W J | | R7128 | NRSA63J-222X | MG RESISTOR | 2.2kΩ 1/16W J | |
| R2107 | NRSA63J-392X | MG RESISTOR | 3.9kΩ 1/16W J | | R7129 | NRSA63J-222X | MG RESISTOR | 2.2kΩ 1/16W J | |
| R2108 | QRE141J-682Y | C RESISTOR | 6.8kΩ 1/4W J | | R7131 | QRE141J-101Y | C RESISTOR | 100Ω 1/4W J | |
| R2109 | QRE141J-682Y | C RESISTOR | 6.8kΩ 1/4W J | | R7132 | NRSA63J-103X | MG RESISTOR | 10kΩ 1/16W J | |
| R2110 | NRSA63J-472X | MG RESISTOR | 4.7kΩ 1/16W J | | R7135 | NRSA63J-222X | MG RESISTOR | 2.2kΩ 1/16W J | |
| R2111 | NRSA63J-473X | MG RESISTOR | 47kΩ 1/16W J | | R7136 | NRSA63J-222X | MG RESISTOR | 2.2kΩ 1/16W J | |
| R2112 | NRSA63J-203X | MG RESISTOR | 20kΩ 1/16W J | | R7137 | NRSA63J-102X | MG RESISTOR | 1kΩ 1/16W J | |
| R2120 | NRSA63J-472X | MG RESISTOR | 4.7kΩ 1/16W J | | R7138 | NRSA63J-102X | MG RESISTOR | 1kΩ 1/16W J | |
| R2121 | NRSA63J-103X | MG RESISTOR | 10kΩ 1/16W J | | R7139 | NRSA63J-102X | MG RESISTOR | 1kΩ 1/16W J | |
| R2122 | NRSA63J-222X | MG RESISTOR | 2.2kΩ 1/16W J | | R7140 | NRSA63J-102X | MG RESISTOR | 1kΩ 1/16W J | |
| R2130 | QRE141J-273Y | C RESISTOR | 27kΩ 1/4W J | | R7143 | NRSA63J-103X | MG RESISTOR | 10kΩ 1/16W J | |
| R2161 | QRE141J-681Y | C RESISTOR | 680Ω 1/4W J | | R7145 | NRSA63J-122X | MG RESISTOR | 1.2kΩ 1/16W J | |
| R2162 | QRE141J-681Y | C RESISTOR | 680Ω 1/4W J | | R7146 | NRSA63J-101X | MG RESISTOR | 100Ω 1/16W J | |
| R2170 | QRE141J-332Y | C RESISTOR | 3.3kΩ 1/4W J | | R7147 | NRSA63J-101X | MG RESISTOR | 100Ω 1/16W J | |
| R2171 | NRSA63J-103X | MG RESISTOR | 10kΩ 1/16W J | | R7148 | NRSA63J-122X | MG RESISTOR | 1.2kΩ 1/16W J | |
| R2172 | NRSA63J-220X | MG RESISTOR | 22Ω 1/16W J | | R7149 | NRSA63J-122X | MG RESISTOR | 1.2kΩ 1/16W J | |
| R2173 | NRSA63J-433X | MG RESISTOR | 43kΩ 1/16W J | | R7151 | NRSA63J-102X | MG RESISTOR | 1kΩ 1/16W J | |
| R2174 | NRSA63J-563X | MG RESISTOR | 56kΩ 1/16W J | | R7152 | NRSA63J-102X | MG RESISTOR | 1kΩ 1/16W J | |
| | | | | | R7153 | NRSA63J-101X | MG RESISTOR | 100Ω 1/16W J | |

| △ Symbol No. | Part No. | Part Name | Description | Local |
|--------------|--------------|----------------|----------------|-------|
| R7154 | NRSA63J-102X | MG RESISTOR | 1kΩ 1/16W J | |
| R7155 | NRSA63J-102X | MG RESISTOR | 1kΩ 1/16W J | |
| R7156 | NRSA63J-102X | MG RESISTOR | 1kΩ 1/16W J | |
| R7160 | NRSA63J-102X | MG RESISTOR | 1kΩ 1/16W J | |
| R7161 | NRSA63J-102X | MG RESISTOR | 1kΩ 1/16W J | |
| R7162 | NRSA63J-102X | MG RESISTOR | 1kΩ 1/16W J | |
| R7163 | NRSA63J-0R0X | MG RESISTOR | 0Ω 1/16W J | |
| R7164 | NRSA63J-0R0X | MG RESISTOR | 0Ω 1/16W J | |
| R7165 | NRSA63J-0R0X | MG RESISTOR | 0Ω 1/16W J | |
| R7166 | NRSA63J-0R0X | MG RESISTOR | 0Ω 1/16W J | |
| R7167 | NRSA63J-0R0X | MG RESISTOR | 0Ω 1/16W J | |
| R7173 | NRSA63J-102X | MG RESISTOR | 1kΩ 1/16W J | |
| R7177 | NRSA63J-222X | MG RESISTOR | 2.2kΩ 1/16W J | |
| R7184 | NRSA63J-222X | MG RESISTOR | 2.2kΩ 1/16W J | |
| R7185 | NRSA63J-222X | MG RESISTOR | 2.2kΩ 1/16W J | |
| R7186 | NRSA63J-222X | MG RESISTOR | 2.2kΩ 1/16W J | |
| R7187 | NRSA63J-222X | MG RESISTOR | 2.2kΩ 1/16W J | |
| R7188 | NRSA63J-0R0X | MG RESISTOR | 0Ω 1/16W J | |
| R7189 | NRSA63J-0R0X | MG RESISTOR | 0Ω 1/16W J | |
| R7199 | NRSA63J-103X | MG RESISTOR | 10kΩ 1/16W J | |
| R7202 | NRSA63J-563X | MG RESISTOR | 56kΩ 1/16W J | |
| R7203 | NRSA63J-103X | MG RESISTOR | 10kΩ 1/16W J | |
| R7204 | NRSA63J-104X | MG RESISTOR | 100kΩ 1/16W J | |
| R7205 | NRSA63J-273X | MG RESISTOR | 27kΩ 1/16W J | |
| R7206 | NRSA63J-103X | MG RESISTOR | 10kΩ 1/16W J | |
| R7207 | NRSA63J-103X | MG RESISTOR | 10kΩ 1/16W J | |
| R7208 | NRSA63J-103X | MG RESISTOR | 10kΩ 1/16W J | |
| R7228 | NRSA63J-103X | MG RESISTOR | 10kΩ 1/16W J | |
| R7229 | NRSA63J-103X | MG RESISTOR | 10kΩ 1/16W J | |
| R7239 | QRE141J-103Y | C RESISTOR | 10kΩ 1/4W J | |
| R7240 | QRE141J-103Y | C RESISTOR | 10kΩ 1/4W J | |
| R7252 | NRSA63J-104X | MG RESISTOR | 100kΩ 1/16W J | |
| R7260 | NRSA63J-393X | MG RESISTOR | 39kΩ 1/16W J | |
| R7261 | NRSA63J-123X | MG RESISTOR | 12kΩ 1/16W J | |
| R7262 | NRSA63J-123X | MG RESISTOR | 12kΩ 1/16W J | |
| R7289 | NRSA63J-103X | MG RESISTOR | 10kΩ 1/16W J | |
| R7300 | NRSA63J-102X | MG RESISTOR | 1kΩ 1/16W J | |
| R7301 | NRSA63J-473X | MG RESISTOR | 47kΩ 1/16W J | |
| R7302 | NRSA63J-103X | MG RESISTOR | 10kΩ 1/16W J | |
| R7320 | NRSA63J-473X | MG RESISTOR | 47kΩ 1/16W J | |
| R7321 | NRSA63J-103X | MG RESISTOR | 10kΩ 1/16W J | |
| R7330 | NRSA63J-103X | MG RESISTOR | 10kΩ 1/16W J | |
| R7331 | NRSA63J-221X | MG RESISTOR | 220Ω 1/16W J | |
| R7332 | NRSA63J-221X | MG RESISTOR | 220Ω 1/16W J | |
| R7333 | NRSA63J-221X | MG RESISTOR | 220Ω 1/16W J | |
| R7360 | NRSA63J-473X | MG RESISTOR | 47kΩ 1/16W J | |
| R7361 | NRSA63J-102X | MG RESISTOR | 1kΩ 1/16W J | |
| R7375 | QRE141J-101Y | C RESISTOR | 100Ω 1/4W J | |
| R7376 | QRE141J-471Y | C RESISTOR | 470Ω 1/4W J | |
| L2080 | QQR0797-002 | COIL | | |
| L2090 | QQR0797-002 | COIL | | |
| L2180 | QQR0797-002 | COIL | | |
| L2190 | QQR0797-002 | COIL | | |
| L2500 | QLL231K-4R7Y | COIL | 4.7uH K | |
| L2700 | QLL231K-470Y | COIL | 47uH K | |
| L2701 | QLL231K-470Y | COIL | 47uH K | |
| L7001 | QLL231K-100Y | COIL | 10uH K | |
| CN200 | QGB2510J1-11 | CONNECTOR | B-B (1-11) | |
| CN210 | QGF1205C1-22 | CONNECTOR | FFC/FPC (1-22) | |
| CN220 | QGF1016F3-19 | CONNECTOR | FFC/FPC (1-19) | |
| CN270 | QGA2501C1-04 | CONNECTOR | W-B (1-4) | |
| CN700 | QGF1205C1-11 | CONNECTOR | FFC/FPC (1-11) | |
| CN710 | QGF1205C1-24 | CONNECTOR | FFC/FPC (1-24) | |
| CN720 | QGF1016F3-17 | CONNECTOR | FFC/FPC (1-17) | |
| CN730 | QGF1205C1-15 | CONNECTOR | FFC/FPC (1-15) | |
| J200 | QNN0420-001 | SURROUND JACK | | |
| J270 | QNS0170-001 | HEADPHONE JACK | | |
| J280 | QNB0172-002 | SPK. TERMINAL | | |
| J290 | QNB0194-001 | SPK TERMINAL | | |
| J700 | QNS0089-001 | 3.5 JACK | | |
| K2070 | QQR0779-001Z | COIL | | |
| K2170 | QQR0779-001Z | COIL | | |
| K2201 | NRSA02J-0R0X | MG RESISTOR | 0Ω 1/10W J | |
| K2202 | NRSA02J-0R0X | MG RESISTOR | 0Ω 1/10W J | |
| K2203 | NRSA02J-0R0X | MG RESISTOR | 0Ω 1/10W J | |
| K2204 | NRSA02J-0R0X | MG RESISTOR | 0Ω 1/10W J | |

| △ Symbol No. | Part No. | Part Name | Description | Local |
|--------------|--------------|---------------|-------------|-------|
| K2205 | NRSA02J-0R0X | MG RESISTOR | 0Ω 1/10W J | |
| K2206 | NRSA02J-0R0X | MG RESISTOR | 0Ω 1/10W J | |
| K2207 | NRSA02J-0R0X | MG RESISTOR | 0Ω 1/10W J | |
| K2270 | QQR0779-001Z | COIL | | |
| K2500 | QQR0621-001Z | COIL | | |
| K2700 | NQR0007-002X | FERRITE BEADS | | |
| K7001 | QQR0621-001Z | COIL | | |
| K7300 | QQR0621-001Z | COIL | | |
| K7370 | NQR0007-002X | FERRITE BEADS | | |
| K7371 | NQR0007-002X | FERRITE BEADS | | |
| K7372 | NQR0007-002X | FERRITE BEADS | | |
| K7373 | NQR0007-002X | FERRITE BEADS | | |
| K7374 | NQR0007-002X | FERRITE BEADS | | |
| K7375 | NRSA02J-0R0X | MG RESISTOR | 0Ω 1/10W J | |
| PP12 | QZW0038-001 | WIRE CLAMP | | |
| X7001 | QAX0718-001Z | CRYSTAL | 8.000000MHz | |

Video board

Block No. [0][2][0][0]

| △ Symbol No. | Part No. | Part Name | Description | Local |
|--------------|--------------|--------------|----------------|-------|
| IC300 | KIA7805API | IC | | |
| IC301 | MM1623XF-X | IC | | |
| Q3005 | KRC111S-X | TRANSISTOR | | |
| C3001 | QFLC1HJ-103Z | M CAPACITOR | 0.01uF 50V J | |
| C3002 | QETN1CM-107Z | E CAPACITOR | 100uF 16V M | |
| C3003 | QFLC1HJ-103Z | M CAPACITOR | 0.01uF 50V J | |
| C3004 | QETN1CM-107Z | E CAPACITOR | 100uF 16V M | |
| C3005 | QCB1HK-104Y | C CAPACITOR | 0.1uF 50V K | |
| C3006 | QETN1AM-477Z | E CAPACITOR | 470uF 10V M | |
| C3007 | QETN1CM-226Z | E CAPACITOR | 22uF 16V M | |
| C3010 | QCFB1HZ-105Y | C CAPACITOR | 1uF 50V Z | |
| C3011 | NCB30JK-105X | C CAPACITOR | 1uF 6.3V K | |
| C3012 | QCFB1HZ-105Y | C CAPACITOR | 1uF 50V Z | |
| C3013 | NCB30JK-105X | C CAPACITOR | 1uF 6.3V K | |
| C3014 | QETN0JM-477Z | E CAPACITOR | 470uF 6.3V M | |
| C3015 | QETN0JM-477Z | E CAPACITOR | 470uF 6.3V M | |
| C3016 | QETN0JM-477Z | E CAPACITOR | 470uF 6.3V M | |
| C3017 | NCS31HJ-181X | C CAPACITOR | 180pF 50V J | |
| C3018 | NCS31HJ-181X | C CAPACITOR | 180pF 50V J | |
| C3019 | NCS31HJ-181X | C CAPACITOR | 180pF 50V J | |
| C3020 | QETN0JM-477Z | E CAPACITOR | 470uF 6.3V M | |
| C3021 | QETN0JM-477Z | E CAPACITOR | 470uF 6.3V M | |
| C3022 | NCS31HJ-181X | C CAPACITOR | 180pF 50V J | |
| C3023 | NCS31HJ-181X | C CAPACITOR | 180pF 50V J | |
| C3024 | QETN0JM-477Z | E CAPACITOR | 470uF 6.3V M | |
| C3025 | NCS31HJ-181X | C CAPACITOR | 180pF 50V J | |
| C3031 | QCB1HK-103Y | C CAPACITOR | 0.01uF 50V K | |
| R3006 | NRSA63J-750X | MG RESISTOR | 75Ω 1/16W J | |
| R3007 | NRSA63J-750X | MG RESISTOR | 75Ω 1/16W J | |
| R3008 | NRSA63J-750X | MG RESISTOR | 75Ω 1/16W J | |
| R3009 | NRSA63J-750X | MG RESISTOR | 75Ω 1/16W J | |
| R3010 | NRSA63J-750X | MG RESISTOR | 75Ω 1/16W J | |
| R3011 | NRSA63J-750X | MG RESISTOR | 75Ω 1/16W J | |
| R3021 | NRSA63J-391X | MG RESISTOR | 390Ω 1/16W J | |
| R3022 | NRSA63J-271X | MG RESISTOR | 270Ω 1/16W J | |
| R3023 | NRSA63J-181X | MG RESISTOR | 180Ω 1/16W J | |
| R3024 | NRSA63J-471X | MG RESISTOR | 470Ω 1/16W J | |
| R3025 | NRSA63J-391X | MG RESISTOR | 390Ω 1/16W J | |
| R3026 | NRSA63J-271X | MG RESISTOR | 270Ω 1/16W J | |
| R3027 | NRSA63J-471X | MG RESISTOR | 470Ω 1/16W J | |
| R3028 | NRSA63J-910X | MG RESISTOR | 91Ω 1/16W J | |
| R3029 | NRSA63J-471X | MG RESISTOR | 470Ω 1/16W J | |
| R3030 | NRSA63J-910X | MG RESISTOR | 91Ω 1/16W J | |
| R3031 | NRSA63J-151X | MG RESISTOR | 150Ω 1/16W J | |
| CN300 | QGF1205F1-24 | CONNECTOR | FFC/FPC (1-24) | |
| CN301 | QGA2501F1-02 | CONNECTOR | W-B (1-2) | |
| JA301 | QNN0601-001 | SPK TERMINAL | | |
| JA302 | QNN0434-001 | PIN JACK | | |

| △ Symbol No. | Part No. | Part Name | Description | Local |
|--------------|-------------|------------|-------------|-------|
| PP300 | QZW0038-001 | WIRE CLAMP | | |

Power board

Block No. [0][3][0][0]

| △ Symbol No. | Part No. | Part Name | Description | Local |
|--------------|---------------|-----------------|--------------|-------|
| △ IC411 | LA4628 | IC | | |
| △ IC421 | LA4628 | IC | | |
| IC440 | LB1641 | IC | | |
| IC750 | NJU6433FG1 | LCD DRIVER | | |
| IC760 | GP1UM261XK | IR DETECT UNIT | 38kHz | |
| Q1001 | KTC3199/GL-T | TRANSISTOR | | |
| Q1002 | KTC1027/OY-T | TRANSISTOR | | |
| Q4121 | 2SC3576-JVC-T | TRANSISTOR | | |
| Q4122 | 2SC3576-JVC-T | TRANSISTOR | | |
| Q4123 | KRA102M-T | DIGI TRANSISTOR | | |
| Q4124 | KRC102M-T | DIGI TRANSISTOR | | |
| Q4131 | KRA109M-T | DIGI TRANSISTOR | | |
| Q4132 | KRA109M-T | DIGI TRANSISTOR | | |
| Q4133 | KRA109M-T | DIGI TRANSISTOR | | |
| Q4134 | KRA109M-T | DIGI TRANSISTOR | | |
| Q4135 | KRC109M-T | DIGI TRANSISTOR | | |
| Q4221 | 2SC3576-JVC-T | TRANSISTOR | | |
| Q4222 | 2SC3576-JVC-T | TRANSISTOR | | |
| Q4231 | KRA109M-T | DIGI TRANSISTOR | | |
| Q4232 | KRA109M-T | DIGI TRANSISTOR | | |
| Q4233 | KRA109M-T | DIGI TRANSISTOR | | |
| Q4234 | KRA109M-T | DIGI TRANSISTOR | | |
| Q4235 | KRC109M-T | DIGI TRANSISTOR | | |
| Q4301 | KTC3199/GL-T | TRANSISTOR | | |
| Q4302 | KTC3199/GL-T | TRANSISTOR | | |
| △ Q4303 | KTA1046/Y/ | TRANSISTOR | | |
| Q7600 | KRC111M-T | TRANSISTOR | | |
| △ D1001 | 1N5401-TM | SI DIODE | | |
| △ D1002 | 1N5401-TM | SI DIODE | | |
| △ D1003 | 1N5401-TM | SI DIODE | | |
| △ D1004 | 1N5401-TM | SI DIODE | | |
| △ D1005 | 6A10E2 | SI DIODE | | |
| △ D1006 | 6A10E2 | SI DIODE | | |
| △ D1007 | 6A10E2 | SI DIODE | | |
| △ D1008 | 6A10E2 | SI DIODE | | |
| △ D1009 | 6A10E2 | SI DIODE | | |
| △ D1010 | 6A10E2 | SI DIODE | | |
| △ D1011 | 6A10E2 | SI DIODE | | |
| △ D1012 | 6A10E2 | SI DIODE | | |
| D1013 | MTZJ6.2C-T2 | Z DIODE | | |
| D1014 | 1N4003S-T5 | SI DIODE | | |
| D1015 | 1SS119-041-T2 | DIODE | | |
| △ D4001 | 2A02-M | DIODE | | |
| D4002 | 1SS119-041-T2 | DIODE | | |
| D4301 | MTZJ5.1C-T2 | Z DIODE | | |
| D4401 | MTZJ5.6A-T2 | Z DIODE | | |
| D7500 | SELU1E54CM-S | LED | | |
| D7600 | SELU2E10C-P | LED | | |
| D7601 | SPR-39MVVF | LED | RED-GREEN | |
| D7602 | 1SS119-041-T2 | DIODE | | |
| D7603 | 1SS119-041-T2 | DIODE | | |
| C1001 | QFLC1HJ-104Z | M CAPACITOR | 0.1uF 50V J | |
| C1002 | QFLC1HJ-104Z | M CAPACITOR | 0.1uF 50V J | |
| C1003 | QFLC1HJ-104Z | M CAPACITOR | 0.1uF 50V J | |
| C1004 | QFLC1HJ-104Z | M CAPACITOR | 0.1uF 50V J | |
| C1005 | QFLC1HJ-104Z | M CAPACITOR | 0.1uF 50V J | |
| C1006 | QFLC1HJ-104Z | M CAPACITOR | 0.1uF 50V J | |
| C1007 | QFLC1HJ-104Z | M CAPACITOR | 0.1uF 50V J | |
| C1008 | QFLC1HJ-104Z | M CAPACITOR | 0.1uF 50V J | |
| C1009 | QFLC1HJ-104Z | M CAPACITOR | 0.1uF 50V J | |
| C1010 | QFLC1HJ-104Z | M CAPACITOR | 0.1uF 50V J | |
| C1011 | QFLC1HJ-104Z | M CAPACITOR | 0.1uF 50V J | |
| C1012 | QFLC1HJ-104Z | M CAPACITOR | 0.1uF 50V J | |
| C1013 | QDXB1CM-472Y | C CAPACITOR | 4700pF 16V M | |

| △ Symbol No. | Part No. | Part Name | Description | Local |
|--------------|----------------|----------------|---------------|-------|
| C1014 | QETN0JM-477Z | E CAPACITOR | 470uF 6.3V M | |
| C1015 | QETM1EM-108 | E CAPACITOR | 1000uF 25V M | |
| △ C1016 | QCZ9105-472 | C CAPACITOR | 4700pF 250V M | |
| C4001 | QETM1EM-478 | E CAPACITOR | 4700uF 25V M | |
| C4002 | QETM1EM-478 | E CAPACITOR | 4700uF 25V M | |
| C4101 | QETM1EM-828 | E CAPACITOR | 8200uF 25V M | |
| C4102 | EETC1CM-107ZJC | E CAPACITOR | | |
| C4103 | QTE1V06-106Z | E CAPACITOR | 10uF 35V | |
| C4107 | QETN1CM-336Z | E CAPACITOR | 33uF 16V M | |
| C4108 | QTE1V06-106Z | E CAPACITOR | 10uF 35V | |
| C4109 | QFLC1HJ-223Z | M CAPACITOR | 0.022uF 50V J | |
| C4110 | QETN1HM-474Z | E CAPACITOR | 0.47uF 50V M | |
| C4111 | QFLC1HJ-104Z | M CAPACITOR | 0.1uF 50V J | |
| C4112 | QFLC1HJ-104Z | M CAPACITOR | 0.1uF 50V J | |
| C4113 | QFLC1HJ-104Z | M CAPACITOR | 0.1uF 50V J | |
| C4114 | QFLC1HJ-104Z | M CAPACITOR | 0.1uF 50V J | |
| C4115 | QETN1EM-107Z | E CAPACITOR | 100uF 25V M | |
| C4117 | QDGB1HK-102Y | C CAPACITOR | 1000pF 50V K | |
| C4118 | QDGB1HK-102Y | C CAPACITOR | 1000pF 50V K | |
| C4121 | QETN1AM-227Z | E CAPACITOR | 220uF 10V M | |
| C4131 | QENC1EM-106Z | BP E CAPACITOR | 10uF 25V M | |
| C4132 | QENC1EM-106Z | BP E CAPACITOR | 10uF 25V M | |
| C4201 | QETM1EM-828 | E CAPACITOR | 8200uF 25V M | |
| C4202 | EETC1CM-107ZJC | E CAPACITOR | | |
| C4203 | QTE1H28-105Z | E CAPACITOR | 1uF 50V | |
| C4207 | QETN1CM-336Z | E CAPACITOR | 33uF 16V M | |
| C4208 | QTE1H28-105Z | E CAPACITOR | 1uF 50V | |
| C4209 | QFLC1HJ-223Z | M CAPACITOR | 0.022uF 50V J | |
| C4210 | QETN1HM-474Z | E CAPACITOR | 0.47uF 50V M | |
| C4211 | QFLC1HJ-104Z | M CAPACITOR | 0.1uF 50V J | |
| C4212 | QFLC1HJ-104Z | M CAPACITOR | 0.1uF 50V J | |
| C4213 | QFLC1HJ-104Z | M CAPACITOR | 0.1uF 50V J | |
| C4214 | QFLC1HJ-104Z | M CAPACITOR | 0.1uF 50V J | |
| C4215 | QETN1EM-107Z | E CAPACITOR | 100uF 25V M | |
| C4217 | QDGB1HK-102Y | C CAPACITOR | 1000pF 50V K | |
| C4218 | QDGB1HK-102Y | C CAPACITOR | 1000pF 50V K | |
| C4231 | QENC1EM-106Z | BP E CAPACITOR | 10uF 25V M | |
| C4232 | QENC1EM-106Z | BP E CAPACITOR | 10uF 25V M | |
| C4301 | QCBB1HK-103Y | C CAPACITOR | 0.01uF 50V K | |
| C4302 | QCBB1HK-221Y | C CAPACITOR | 220pF 50V K | |
| C4401 | QCFB1HZ-104Y | C CAPACITOR | 0.1uF 50V Z | |
| C4402 | QDYB1CM-103Y | C CAPACITOR | 0.01uF 16V M | |
| C4403 | QETN1CM-107Z | E CAPACITOR | 100uF 16V M | |
| C7500 | QEKC1AM-107Z | E CAPACITOR | 100uF 10V M | |
| C7600 | QDGB1HK-102Y | C CAPACITOR | 1000pF 50V K | |
| C7601 | QERF1CM-476Z | E CAPACITOR | 47uF 16V M | |
| C7602 | QDYB1CM-103Y | C CAPACITOR | 0.01uF 16V M | |
| C7603 | QDYB1CM-103Y | C CAPACITOR | 0.01uF 16V M | |
| R1001 | QRE141J-332Y | C RESISTOR | 3.3kΩ 1/4W J | |
| R1002 | QRE141J-821Y | C RESISTOR | 820Ω 1/4W J | |
| △ R1003 | QRZ9037-335 | COMP RESISTOR | 3.3MΩ 1/2W K | |
| R4101 | QRE141J-333Y | C RESISTOR | 33kΩ 1/4W J | |
| R4102 | QRE141J-333Y | C RESISTOR | 33kΩ 1/4W J | |
| R4103 | QRE141J-2R2Y | C RESISTOR | 2.2Ω 1/4W J | |
| R4104 | QRE141J-2R2Y | C RESISTOR | 2.2Ω 1/4W J | |
| R4105 | QRE141J-2R2Y | C RESISTOR | 2.2Ω 1/4W J | |
| R4106 | QRE141J-2R2Y | C RESISTOR | 2.2Ω 1/4W J | |
| R4107 | QRE141J-102Y | C RESISTOR | 1kΩ 1/4W J | |
| R4108 | QRE141J-102Y | C RESISTOR | 1kΩ 1/4W J | |
| R4121 | QRE141J-222Y | C RESISTOR | 2.2kΩ 1/4W J | |
| R4122 | QRE141J-222Y | C RESISTOR | 2.2kΩ 1/4W J | |
| R4123 | QRE141J-222Y | C RESISTOR | 2.2kΩ 1/4W J | |
| R4124 | QRE141J-222Y | C RESISTOR | 2.2kΩ 1/4W J | |
| R4131 | QRE141J-433Y | C RESISTOR | 43kΩ 1/4W J | |
| R4132 | QRE141J-433Y | C RESISTOR | 43kΩ 1/4W J | |
| R4133 | QRE141J-433Y | C RESISTOR | 43kΩ 1/4W J | |
| R4134 | QRE141J-433Y | C RESISTOR | 43kΩ 1/4W J | |
| R4201 | QRE141J-333Y | C RESISTOR | 33kΩ 1/4W J | |
| R4202 | QRE141J-333Y | C RESISTOR | 33kΩ 1/4W J | |
| R4203 | QRE141J-2R2Y | C RESISTOR | 2.2Ω 1/4W J | |
| R4204 | QRE141J-2R2Y | C RESISTOR | 2.2Ω 1/4W J | |
| R4205 | QRE141J-2R2Y | C RESISTOR | 2.2Ω 1/4W J | |
| R4206 | QRE141J-2R2Y | C RESISTOR | 2.2Ω 1/4W J | |
| R4207 | QRE141J-682Y | C RESISTOR | 6.8kΩ 1/4W J | |
| R4208 | QRE141J-682Y | C RESISTOR | 6.8kΩ 1/4W J | |
| R4221 | QRE141J-222Y | C RESISTOR | 2.2kΩ 1/4W J | |
| R4222 | QRE141J-222Y | C RESISTOR | 2.2kΩ 1/4W J | |

△ Symbol No. Part No. Part Name Description Local

| | | | | |
|---------|--------------|--------------|----------------|--|
| R4231 | QRE141J-433Y | C RESISTOR | 43kΩ 1/4W J | |
| R4232 | QRE141J-433Y | C RESISTOR | 43kΩ 1/4W J | |
| R4233 | QRE141J-433Y | C RESISTOR | 43kΩ 1/4W J | |
| R4234 | QRE141J-433Y | C RESISTOR | 43kΩ 1/4W J | |
| R4301 | QRE141J-681Y | C RESISTOR | 680Ω 1/4W J | |
| R4302 | QRE141J-272Y | C RESISTOR | 2.7kΩ 1/4W J | |
| R4303 | QRE141J-472Y | C RESISTOR | 4.7kΩ 1/4W J | |
| R4304 | QRE141J-681Y | C RESISTOR | 680Ω 1/4W J | |
| R4305 | QRE141J-102Y | C RESISTOR | 1kΩ 1/4W J | |
| R4306 | QRE141J-102Y | C RESISTOR | 1kΩ 1/4W J | |
| R4307 | QRE141J-102Y | C RESISTOR | 1kΩ 1/4W J | |
| R7500 | QRE141J-103Y | C RESISTOR | 10kΩ 1/4W J | |
| R7501 | QRE141J-134Y | C RESISTOR | 130kΩ 1/4W J | |
| R7502 | QRE141J-241Y | C RESISTOR | 240Ω 1/4W J | |
| R7600 | QRE141J-221Y | C RESISTOR | 220Ω 1/4W J | |
| R7601 | QRE141J-161Y | C RESISTOR | 160Ω 1/4W J | |
| R7602 | QRE141J-102Y | C RESISTOR | 1kΩ 1/4W J | |
| R7603 | QRE141J-102Y | C RESISTOR | 1kΩ 1/4W J | |
| R7604 | QRE141J-122Y | C RESISTOR | 1.2kΩ 1/4W J | |
| R7605 | QRE141J-182Y | C RESISTOR | 1.8kΩ 1/4W J | |
| R7606 | QRE141J-222Y | C RESISTOR | 2.2kΩ 1/4W J | |
| R7607 | QRE141J-272Y | C RESISTOR | 2.7kΩ 1/4W J | |
| R7609 | QRE141J-102Y | C RESISTOR | 1kΩ 1/4W J | |
| R7610 | QRE141J-102Y | C RESISTOR | 1kΩ 1/4W J | |
| R7611 | QRE141J-122Y | C RESISTOR | 1.2kΩ 1/4W J | |
| R7612 | QRE141J-182Y | C RESISTOR | 1.8kΩ 1/4W J | |
| R7613 | QRE141J-222Y | C RESISTOR | 2.2kΩ 1/4W J | |
| R7614 | QRE141J-272Y | C RESISTOR | 2.7kΩ 1/4W J | |
| L4401 | QQL244K-100Z | COIL | 10uH K | |
| △ T1002 | QQT0253-012 | POWER TRANSF | | |
| △ CN101 | QGA7901C1-02 | CONNECTOR | W-B (1-2) | |
| △ CN102 | QGA7901C1-02 | CONNECTOR | W-B (1-2) | |
| CN103 | QGA3901C1-07 | CONNECTOR | W-B (1-7) | |
| CN104 | QGB2510J1-10 | CONNECTOR | B-B (1-10) | |
| CN401 | QGB2510K2-11 | CONNECTOR | B-B (1-11) | |
| CN402 | QGF1205C1-22 | CONNECTOR | FFC/FPC (1-22) | |
| CN403 | QGB2510K2-10 | CONNECTOR | B-B (1-10) | |
| CN404 | QGF1016F3-05 | CONNECTOR | FFC/FPC (1-5) | |
| CN750 | QGF1205F1-15 | CONNECTOR | FFC/FPC (1-15) | |
| CN751 | QGF1205F1-10 | CONNECTOR | FFC/FPC (1-10) | |
| CN760 | QGF1205F1-10 | CONNECTOR | FFC/FPC (1-10) | |
| JS760 | QSW1060-001 | ROTARY SW | | |
| △ RY101 | QSK0124-001 | RELAY | | |
| S7600 | QSW0825-001Z | TACT SW | | |
| S7601 | QSW0825-001Z | TACT SW | | |
| S7602 | QSW0825-001Z | TACT SW | | |
| S7603 | QSW0825-001Z | TACT SW | | |
| S7604 | QSW0825-001Z | TACT SW | | |
| S7605 | QSW0825-001Z | TACT SW | | |
| S7606 | QSW0825-001Z | TACT SW | | |
| S7607 | QSW0825-001Z | TACT SW | | |
| S7608 | QSW0825-001Z | TACT SW | | |
| S7609 | QSW0825-001Z | TACT SW | | |
| S7610 | QSW0825-001Z | TACT SW | | |
| S7611 | QSW0825-001Z | TACT SW | | |
| Z1001 | QNG0003-001Z | FUSE CLIP | | |
| Z1002 | QNG0003-001Z | FUSE CLIP | | |
| Z1005 | QNG0003-001Z | FUSE CLIP | | |
| Z1006 | QNG0003-001Z | FUSE CLIP | | |
| Z1007 | QNG0003-001Z | FUSE CLIP | | |
| Z1008 | QNG0003-001Z | FUSE CLIP | | |
| Z1009 | QNG0003-001Z | FUSE CLIP | | |
| Z1010 | QNG0003-001Z | FUSE CLIP | | |
| Z1011 | QNG0003-001Z | FUSE CLIP | | |
| Z1012 | QNG0003-001Z | FUSE CLIP | | |

DVD loading switch board

Block No. [0][4][0][0]

| △ Symbol No. | Part No. | Part Name | Description | Local |
|--------------|--------------|---------------|---------------|-------|
| CN1 | QGF1016F3-05 | CONNECTOR | FFC/FPC (1-5) | |
| S1 | QSW1007-001 | DETECT SWITCH | | |

DVD servo board

Block No. [0][5][0][0]

| △ Symbol No. | Part No. | Part Name | Description | Local |
|--------------|--------------------|-------------|---------------|-------|
| IC201 | LA6502-X | IC | | |
| IC301 | MN2DS0003AA-H | IC | | |
| IC302 | LM1117MP-ADJ-X | IC | | |
| IC453 | S-80827CNNB-W | IC | | |
| IC505 | K4S641632H-TC75 | IC(DIGITAL) | | |
| IC505 | or K4S641632H-UC75 | IC | | |
| IC509 | AT49LV1614T90TC | IC (FLASH) | | |
| IC701 | AK4384VT-X | IC | | |
| Q101 | KTA1001/Y/-X | TRANSISTOR | | |
| Q101 | or 2SB1424/R/-W | TRANSISTOR | | |
| Q102 | 2SC4617/R/-X | TRANSISTOR | | |
| Q103 | KTA1001/Y/-X | TRANSISTOR | | |
| Q103 | or 2SB1424/R/-W | TRANSISTOR | | |
| Q104 | 2SC4617/R/-X | TRANSISTOR | | |
| Q105 | UN2119-X | TRANSISTOR | | |
| C101 | NCB31CK-104X | C CAPACITOR | 0.1uF 16V K | |
| C102 | NCB31CK-104X | C CAPACITOR | 0.1uF 16V K | |
| C103 | NCB31CK-104X | C CAPACITOR | 0.1uF 16V K | |
| C104 | NCB31CK-104X | C CAPACITOR | 0.1uF 16V K | |
| C105 | NEA70JM-476X | E CAPACITOR | 47uF 6.3V M | |
| C106 | NEA70JM-476X | E CAPACITOR | 47uF 6.3V M | |
| C107 | NCB31CK-104X | C CAPACITOR | 0.1uF 16V K | |
| C108 | NEA70JM-476X | E CAPACITOR | 47uF 6.3V M | |
| C111 | NCB31CK-104X | C CAPACITOR | 0.1uF 16V K | |
| C204 | NCB31CK-104X | C CAPACITOR | 0.1uF 16V K | |
| C205 | NCB31HK-271X | C CAPACITOR | 270pF 50V K | |
| C206 | NDC31HJ-151X | C CAPACITOR | 150pF 50V J | |
| C208 | NCB31HK-561X | C CAPACITOR | 560pF 50V K | |
| C211 | NCB31HK-223X | C CAPACITOR | 0.022uF 50V K | |
| C212 | NCB31CK-103X | C CAPACITOR | 0.01uF 16V K | |
| C217 | NCB31CK-104X | C CAPACITOR | 0.1uF 16V K | |
| C251 | NCB31AK-474X | C CAPACITOR | 0.47uF 10V K | |
| C253 | NCB31HK-561X | C CAPACITOR | 560pF 50V K | |
| C255 | NCB31CK-153X | C CAPACITOR | 0.015uF 16V K | |
| C256 | NCB31CK-104X | C CAPACITOR | 0.1uF 16V K | |
| C257 | NCB31HK-822X | C CAPACITOR | 8200pF 50V K | |
| C258 | NCB31CK-153X | C CAPACITOR | 0.015uF 16V K | |
| C259 | NCB31CK-153X | C CAPACITOR | 0.015uF 16V K | |
| C260 | NCB31EK-223X | C CAPACITOR | 0.022uF 25V K | |
| C261 | NCB31EK-223X | C CAPACITOR | 0.022uF 25V K | |
| C262 | NCB31EK-223X | C CAPACITOR | 0.022uF 25V K | |
| C264 | NEA70JM-227X | E CAPACITOR | 220uF 6.3V M | |
| C301 | NEA70GM-227X | E CAPACITOR | 220uF 4V M | |
| C302 | NEA70GM-476X | E CAPACITOR | 47uF 4V M | |
| C303 | NEA70GM-476X | E CAPACITOR | 47uF 4V M | |
| C304 | NCB31CK-105X | C CAPACITOR | 1uF 16V K | |
| C305 | NCB31CK-104X | C CAPACITOR | 0.1uF 16V K | |
| C306 | NCB31CK-104X | C CAPACITOR | 0.1uF 16V K | |
| C307 | NCB31CK-104X | C CAPACITOR | 0.1uF 16V K | |
| C308 | NCB31CK-104X | C CAPACITOR | 0.1uF 16V K | |
| C309 | NCB31CK-104X | C CAPACITOR | 0.1uF 16V K | |
| C310 | NCB31CK-104X | C CAPACITOR | 0.1uF 16V K | |
| C311 | NCB31CK-104X | C CAPACITOR | 0.1uF 16V K | |
| C312 | NCB31CK-104X | C CAPACITOR | 0.1uF 16V K | |
| C313 | NCB31CK-104X | C CAPACITOR | 0.1uF 16V K | |
| C314 | NCB31CK-104X | C CAPACITOR | 0.1uF 16V K | |
| C315 | NCB31CK-104X | C CAPACITOR | 0.1uF 16V K | |
| C316 | NCB31CK-104X | C CAPACITOR | 0.1uF 16V K | |
| C317 | NCB31CK-104X | C CAPACITOR | 0.1uF 16V K | |
| C318 | NCB31CK-104X | C CAPACITOR | 0.1uF 16V K | |

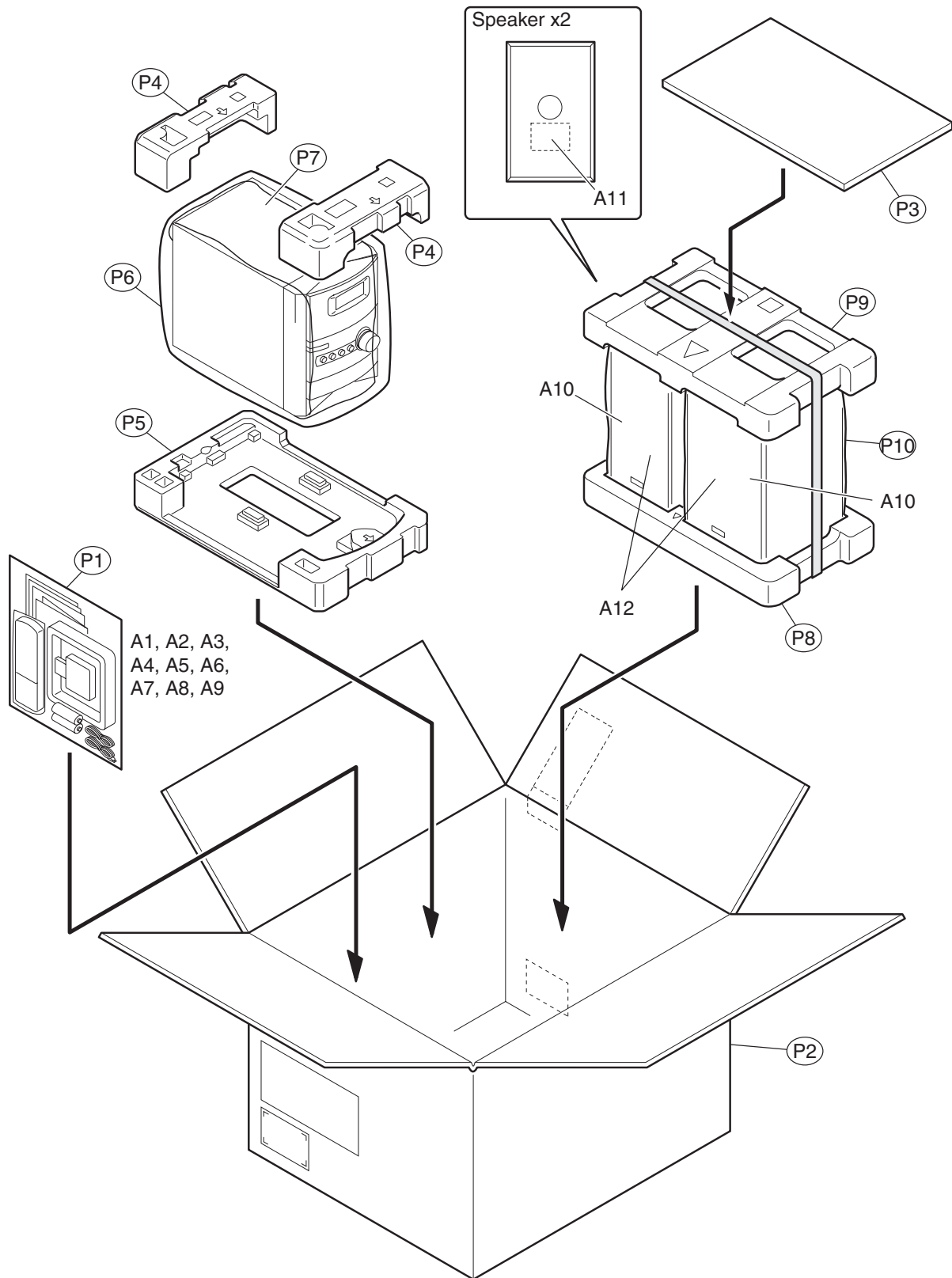
| △ Symbol No. | Part No. | Part Name | Description | Local | △ Symbol No. | Part No. | Part Name | Description | Local |
|--------------|--------------|----------------|---------------|-------|--------------|--------------|---------------|---------------|-------|
| C319 | NCB31CK-104X | C CAPACITOR | 0.1uF 16V K | | R123 | NRSA63J-0R0X | MG RESISTOR | 0Ω 1/16W J | |
| C320 | NCB31CK-104X | C CAPACITOR | 0.1uF 16V K | | R125 | NRS125J-1R0X | MG RESISTOR | 1Ω 1/2W J | |
| C321 | NCB31CK-104X | C CAPACITOR | 0.1uF 16V K | | R126 | NRSA02J-181X | MG RESISTOR | 180Ω 1/10W J | |
| C322 | NCB31CK-104X | C CAPACITOR | 0.1uF 16V K | | R128 | NRSA63J-0R0X | MG RESISTOR | 0Ω 1/16W J | |
| C323 | NCB31CK-104X | C CAPACITOR | 0.1uF 16V K | | R204 | NRSA63J-273X | MG RESISTOR | 27kΩ 1/16W J | |
| C324 | NCB21CK-105X | C CAPACITOR | 1uF 16V K | | R205 | NRSA63J-273X | MG RESISTOR | 27kΩ 1/16W J | |
| C325 | NDC31HJ-180X | C CAPACITOR | 18pF 50V J | | R206 | NRSA63J-303X | MG RESISTOR | 30kΩ 1/16W J | |
| C326 | NDC31HJ-150X | C CAPACITOR | 15pF 50V J | | R207 | NRSA63J-473X | MG RESISTOR | 47kΩ 1/16W J | |
| C327 | NCB31HK-103X | C CAPACITOR | 0.01uF 50V K | | R208 | NRSA63J-223X | MG RESISTOR | 22kΩ 1/16W J | |
| C330 | NCB31CK-104X | C CAPACITOR | 0.1uF 16V K | | R213 | NRSA63J-103X | MG RESISTOR | 10kΩ 1/16W J | |
| C331 | NCB31CK-333X | C CAPACITOR | 0.033uF 16V K | | R214 | NRSA63J-103X | MG RESISTOR | 10kΩ 1/16W J | |
| C332 | NCB31CK-104X | C CAPACITOR | 0.1uF 16V K | | R215 | NRSA63J-103X | MG RESISTOR | 10kΩ 1/16W J | |
| C333 | NCB31CK-104X | C CAPACITOR | 0.1uF 16V K | | R219 | NRSA63J-183X | MG RESISTOR | 18kΩ 1/16W J | |
| C334 | NCB31CK-104X | C CAPACITOR | 0.1uF 16V K | | R220 | NRSA63J-243X | MG RESISTOR | 24kΩ 1/16W J | |
| C335 | NCB31CK-104X | C CAPACITOR | 0.1uF 16V K | | R221 | NRSA63J-682X | MG RESISTOR | 6.8kΩ 1/16W J | |
| C337 | NCB31CK-183X | C CAPACITOR | 0.018uF 16V K | | R251 | NRS125J-R47X | MG RESISTOR | 0.47Ω 1/2W J | |
| C338 | NCB31HK-562X | C CAPACITOR | 5600pF 50V K | | R252 | NRSA63J-2R2X | MG RESISTOR | 2.2Ω 1/16W J | |
| C339 | NCB31CK-104X | C CAPACITOR | 0.1uF 16V K | | R254 | NRSA63J-203X | MG RESISTOR | 20kΩ 1/16W J | |
| C340 | NCB21CK-105X | C CAPACITOR | 1uF 16V K | | R255 | NRSA63J-103X | MG RESISTOR | 10kΩ 1/16W J | |
| C341 | NCB30JK-105X | C CAPACITOR | 1uF 6.3V K | | R257 | NRSA63J-0R0X | MG RESISTOR | 0Ω 1/16W J | |
| C347 | NCB31CK-104X | C CAPACITOR | 0.1uF 16V K | | R259 | NRSA63J-103X | MG RESISTOR | 10kΩ 1/16W J | |
| C348 | NCB31CK-104X | C CAPACITOR | 0.1uF 16V K | | R302 | NRSA63J-240X | MG RESISTOR | 24Ω 1/16W J | |
| C349 | NCB31CK-104X | C CAPACITOR | 0.1uF 16V K | | R303 | NRSA63J-270X | MG RESISTOR | 27Ω 1/16W J | |
| C350 | NCB31CK-104X | C CAPACITOR | 0.1uF 16V K | | R306 | NRSA63J-102X | MG RESISTOR | 1kΩ 1/16W J | |
| C356 | NCB21CK-105X | C CAPACITOR | 1uF 16V K | | R307 | NRSA63J-102X | MG RESISTOR | 1kΩ 1/16W J | |
| C359 | NCB31CK-104X | C CAPACITOR | 0.1uF 16V K | | R308 | NRSA63J-223X | MG RESISTOR | 22kΩ 1/16W J | |
| C371 | NCB21CK-105X | C CAPACITOR | 1uF 16V K | | R309 | NRSA63J-104X | MG RESISTOR | 100kΩ 1/16W J | |
| C374 | NCB31CK-104X | C CAPACITOR | 0.1uF 16V K | | R310 | NRS125J-R47X | MG RESISTOR | 0.47Ω 1/2W J | |
| C391 | NCB31CK-104X | C CAPACITOR | 0.1uF 16V K | | R312 | NRSA63J-0R0X | MG RESISTOR | 0Ω 1/16W J | |
| C392 | NCB31CK-104X | C CAPACITOR | 0.1uF 16V K | | R313 | NRSA63J-0R0X | MG RESISTOR | 0Ω 1/16W J | |
| C455 | NCB31CK-103X | C CAPACITOR | 0.01uF 16V K | | R314 | NRSA63J-0R0X | MG RESISTOR | 0Ω 1/16W J | |
| C505 | NDC31HJ-330X | C CAPACITOR | 33pF 50V J | | R315 | NRSA63J-0R0X | MG RESISTOR | 0Ω 1/16W J | |
| C506 | NDC31HJ-330X | C CAPACITOR | 33pF 50V J | | R316 | NRSA63J-0R0X | MG RESISTOR | 0Ω 1/16W J | |
| C507 | NDC31HJ-330X | C CAPACITOR | 33pF 50V J | | R317 | NRSA63J-0R0X | MG RESISTOR | 0Ω 1/16W J | |
| C508 | NDC31HJ-330X | C CAPACITOR | 33pF 50V J | | R318 | NRSA63J-333X | MG RESISTOR | 33kΩ 1/16W J | |
| C509 | NDC31HJ-330X | C CAPACITOR | 33pF 50V J | | R319 | NRSA63J-0R0X | MG RESISTOR | 0Ω 1/16W J | |
| C510 | NDC31HJ-330X | C CAPACITOR | 33pF 50V J | | R320 | NRSA63J-103X | MG RESISTOR | 10kΩ 1/16W J | |
| C547 | NCB31CK-104X | C CAPACITOR | 0.1uF 16V K | | R322 | NRSA63J-473X | MG RESISTOR | 47kΩ 1/16W J | |
| C551 | NCB31CK-104X | C CAPACITOR | 0.1uF 16V K | | R323 | NRSA63J-0R0X | MG RESISTOR | 0Ω 1/16W J | |
| C552 | NCB31CK-104X | C CAPACITOR | 0.1uF 16V K | | R325 | NRSA63J-331X | MG RESISTOR | 330Ω 1/16W J | |
| C553 | NBE20JM-226X | TA E CAPACITOR | 22uF 6.3V M | | R326 | NRSA63J-331X | MG RESISTOR | 330Ω 1/16W J | |
| C554 | NCB31CK-104X | C CAPACITOR | 0.1uF 16V K | | R333 | NRSA63J-163X | MG RESISTOR | 16kΩ 1/16W J | |
| C555 | NCB31CK-104X | C CAPACITOR | 0.1uF 16V K | | R334 | NRSA63J-151X | MG RESISTOR | 150Ω 1/16W J | |
| C556 | NCB31CK-104X | C CAPACITOR | 0.1uF 16V K | | R335 | NRSA63J-151X | MG RESISTOR | 150Ω 1/16W J | |
| C557 | NCF31AZ-105X | C CAPACITOR | 1uF 10V Z | | R336 | NRSA63J-151X | MG RESISTOR | 150Ω 1/16W J | |
| C558 | NCB31CK-104X | C CAPACITOR | 0.1uF 16V K | | R337 | NRSA63J-151X | MG RESISTOR | 150Ω 1/16W J | |
| C559 | NCB31CK-104X | C CAPACITOR | 0.1uF 16V K | | R338 | NRSA63J-0R0X | MG RESISTOR | 0Ω 1/16W J | |
| C701 | NCB31CK-104X | C CAPACITOR | 0.1uF 16V K | | R339 | NRSA63J-0R0X | MG RESISTOR | 0Ω 1/16W J | |
| C704 | NEA70JM-227X | E CAPACITOR | 220uF 6.3V M | | R340 | NRSA63D-303X | MG RESISTOR | 30kΩ 1/16W D | |
| C706 | NEA71CM-106X | E CAPACITOR | 10uF 16V M | | R341 | NRSA63D-362X | MG RESISTOR | 3.6kΩ 1/16W D | |
| C707 | NCB31CK-104X | C CAPACITOR | 0.1uF 16V K | | R342 | NRSA63D-222X | MG RESISTOR | 2.2kΩ 1/16W D | |
| C721 | NCB31HK-102X | C CAPACITOR | 1000pF 50V K | | R343 | NRSA63J-0R0X | MG RESISTOR | 0Ω 1/16W J | |
| C902 | NCB31CK-104X | C CAPACITOR | 0.1uF 16V K | | R344 | NRSA63J-6R8X | MG RESISTOR | 6.8Ω 1/16W J | |
| C903 | NCB31CK-104X | C CAPACITOR | 0.1uF 16V K | | R345 | NQR0129-002X | FERRITE BEADS | | |
| C904 | NCB31CK-104X | C CAPACITOR | 0.1uF 16V K | | R351 | NRSA63J-681X | MG RESISTOR | 680Ω 1/16W J | |
| C906 | NCB31CK-104X | C CAPACITOR | 0.1uF 16V K | | R352 | NRSA63J-105X | MG RESISTOR | 1MΩ 1/16W J | |
| R101 | NRSA63J-101X | MG RESISTOR | 100Ω 1/16W J | | R357 | NRSA63J-101X | MG RESISTOR | 100Ω 1/16W J | |
| R102 | NRSA63J-101X | MG RESISTOR | 100Ω 1/16W J | | R358 | NRSA63J-101X | MG RESISTOR | 100Ω 1/16W J | |
| R103 | NRSA63J-243X | MG RESISTOR | 24kΩ 1/16W J | | R361 | NRSA63J-101X | MG RESISTOR | 100Ω 1/16W J | |
| R104 | NRSA63J-303X | MG RESISTOR | 30kΩ 1/16W J | | R362 | NRSA63J-331X | MG RESISTOR | 330Ω 1/16W J | |
| R105 | NRS125J-270X | MG RESISTOR | 27Ω 1/2W J | | R363 | NRSA63J-151X | MG RESISTOR | 150Ω 1/16W J | |
| R106 | NRSA63J-2R2X | MG RESISTOR | 2.2Ω 1/16W J | | R372 | NRSA63J-102X | MG RESISTOR | 1kΩ 1/16W J | |
| R107 | NRSA63J-101X | MG RESISTOR | 100Ω 1/16W J | | R373 | NRSA63J-102X | MG RESISTOR | 1kΩ 1/16W J | |
| R108 | NRSA63J-471X | MG RESISTOR | 470Ω 1/16W J | | R378 | NRSA63J-102X | MG RESISTOR | 1kΩ 1/16W J | |
| R109 | NRSA63J-471X | MG RESISTOR | 470Ω 1/16W J | | R379 | NRSA63J-102X | MG RESISTOR | 1kΩ 1/16W J | |
| R110 | NRSA63J-0R0X | MG RESISTOR | 0Ω 1/16W J | | R384 | NRSA63J-102X | MG RESISTOR | 1kΩ 1/16W J | |
| R111 | NRSA63J-243X | MG RESISTOR | 24kΩ 1/16W J | | R385 | NRSA63J-102X | MG RESISTOR | 1kΩ 1/16W J | |
| R112 | NRSA63J-303X | MG RESISTOR | 30kΩ 1/16W J | | R390 | NRSA63J-472X | MG RESISTOR | 4.7kΩ 1/16W J | |
| R113 | NRS125J-270X | MG RESISTOR | 27Ω 1/2W J | | R391 | NAD0025-103X | N THERMISTOR | 10kΩ | |
| R114 | NRSA63J-2R2X | MG RESISTOR | 2.2Ω 1/16W J | | R392 | NRSA63J-103X | MG RESISTOR | 10kΩ 1/16W J | |
| R115 | NRSA63J-101X | MG RESISTOR | 100Ω 1/16W J | | R393 | NRSA63J-0R0X | MG RESISTOR | 0Ω 1/16W J | |
| R116 | NRSA63J-471X | MG RESISTOR | 470Ω 1/16W J | | R394 | NRSA63J-0R0X | MG RESISTOR | 0Ω 1/16W J | |
| R117 | NRSA63J-331X | MG RESISTOR | 330Ω 1/16W J | | R395 | NRSA02J-0R0X | MG RESISTOR | 0Ω 1/10W J | |
| R118 | NRSA63J-0R0X | MG RESISTOR | 0Ω 1/16W J | | R457 | NRSA63J-0R0X | MG RESISTOR | 0Ω 1/16W J | |
| R119 | NRSA63J-0R0X | MG RESISTOR | 0Ω 1/16W J | | R458 | NRSA63J-102X | MG RESISTOR | 1kΩ 1/16W J | |
| R120 | NRSA63J-0R0X | MG RESISTOR | 0Ω 1/16W J | | R501 | NRSA63J-471X | MG RESISTOR | 470Ω 1/16W J | |
| R122 | NRSA63J-0R0X | MG RESISTOR | 0Ω 1/16W J | | R502 | NRSA63J-471X | MG RESISTOR | 470Ω 1/16W J | |
| | | | | | R503 | NRSA63J-101X | MG RESISTOR | 100Ω 1/16W J | |

| Symbol No. | Part No. | Part Name | Description | Local |
|------------|---------------|---------------|----------------|-------|
| R510 | NRSA63J-0R0X | MG RESISTOR | 0Ω 1/16W J | |
| R551 | NRSA63J-102X | MG RESISTOR | 1kΩ 1/16W J | |
| R553 | NQR0129-002X | FERRITE BEADS | | |
| R554 | NQR0129-002X | FERRITE BEADS | | |
| R555 | NQR0129-002X | FERRITE BEADS | | |
| R556 | NQR0129-002X | FERRITE BEADS | | |
| R557 | NQR0129-002X | FERRITE BEADS | | |
| R558 | NRSA63J-102X | MG RESISTOR | 1kΩ 1/16W J | |
| R701 | NRSA63J-1R0X | MG RESISTOR | 1Ω 1/16W J | |
| R702 | NRSA63J-0R0X | MG RESISTOR | 0Ω 1/16W J | |
| R710 | NRSA63J-100X | MG RESISTOR | 10Ω 1/16W J | |
| R711 | NRSA63J-101X | MG RESISTOR | 100Ω 1/16W J | |
| R712 | NRSA63J-101X | MG RESISTOR | 100Ω 1/16W J | |
| R713 | NRSA63J-101X | MG RESISTOR | 100Ω 1/16W J | |
| R716 | NRSA63J-0R0X | MG RESISTOR | 0Ω 1/16W J | |
| R718 | NRSA63J-473X | MG RESISTOR | 47kΩ 1/16W J | |
| R719 | NRSA63J-0R0X | MG RESISTOR | 0Ω 1/16W J | |
| R909 | NRSA02J-0R0X | MG RESISTOR | 0Ω 1/10W J | |
| R911 | NRSA02J-0R0X | MG RESISTOR | 0Ω 1/10W J | |
| L501 | NQL044K-100X | COIL | 0.26Ω 10uH K | |
| CN101 | QGF0523F1-24W | CONNECTOR | FFC/FPC (1-24) | |
| CN201 | QGF1016F2-08W | CONNECTOR | FFC/FPC (1-8) | |
| CN501 | QGF1016F2-19W | CONNECTOR | FFC/FPC (1-19) | |
| CN503 | QGF1016F2-17W | CONNECTOR | FFC/FPC (1-17) | |
| K101 | NRSA02J-0R0X | MG RESISTOR | 0Ω 1/10W J | |
| K102 | NRSA02J-0R0X | MG RESISTOR | 0Ω 1/10W J | |
| K301 | NQR0354-001X | FERRITE BEADS | | |
| K302 | NRSA63J-101X | MG RESISTOR | 100Ω 1/16W J | |
| K303 | NRSA63J-101X | MG RESISTOR | 100Ω 1/16W J | |
| K304 | NQR0354-001X | FERRITE BEADS | | |
| K501 | NQR0129-002X | FERRITE BEADS | | |
| K551 | NQR0129-002X | FERRITE BEADS | | |
| K552 | NQR0129-002X | FERRITE BEADS | | |
| K553 | NQR0129-002X | FERRITE BEADS | | |
| K554 | NQR0129-002X | FERRITE BEADS | | |
| K555 | NQR0022-005X | FERRITE BEADS | | |
| K556 | NQR0129-002X | FERRITE BEADS | | |
| X351 | NAX0550-001X | CRYSTAL | 27.000MHz | |

<MEMO>

Packing materials and accessories parts list

Block No. **M** **3** **M** **M**



Packing and Accessories

Block No. [M][3][M][M]

| △ | Symbol No. | Part No. | Part Name | Description | Local |
|---|------------|---------------|-----------------|-------------|-------|
| | A 1 | QAL0014-001 | AM LOOP ANT | | |
| | A 2 | QAL0457-001 | ANT.WIRE | | |
| | A 3 | GVT0130-001A | INST BOOK | ENG FRE | |
| | A 4 | RM-SFSP550J | REMOCON | | |
| | A 5 | ----- | BATTERY | (x2) | |
| | A 6 | BT-52006-2 | WARRANTY CARD | | |
| | A 7 | BT-20071B | SERVICE NETWORK | | |
| | A 8 | YU20333 | SAFETY INST. | | |
| △ | A 9 | QAM0216-001 | SIGNAL CORD | | |
| | A 10 | 9910007701 | NET ASSY | (x2) | |
| | A 11 | 6000206241 | RATING LABEL | (x2) | |
| | A 12 | UXP550E-SPBOX | SPEAKER BOX | (x2) | |
| | P 1 | QPC02503515P | POLY BAG | 25cm x 35cm | |
| | P 2 | GV20264-002A | CARTON ASSY. | | |
| | P 3 | GV40237-005A | CARTON SPACER | | |
| | P 4 | GV10196-001A | CUSHION(FRONT) | | |
| | P 5 | GV10197-001A | CUSHION(REAR) | | |
| | P 6 | QPC05006515P | POLY BAG | 50cm x 65cm | |
| | P 7 | GV40168-009A | MIRAMA SHEET | | |
| | P 8 | 8000055311 | BOTTOM CUSHION | | |
| | P 9 | 8000055301 | TOP CUSHION | | |
| | P 10 | 8500041601 | POLY BAG | (x2) | |